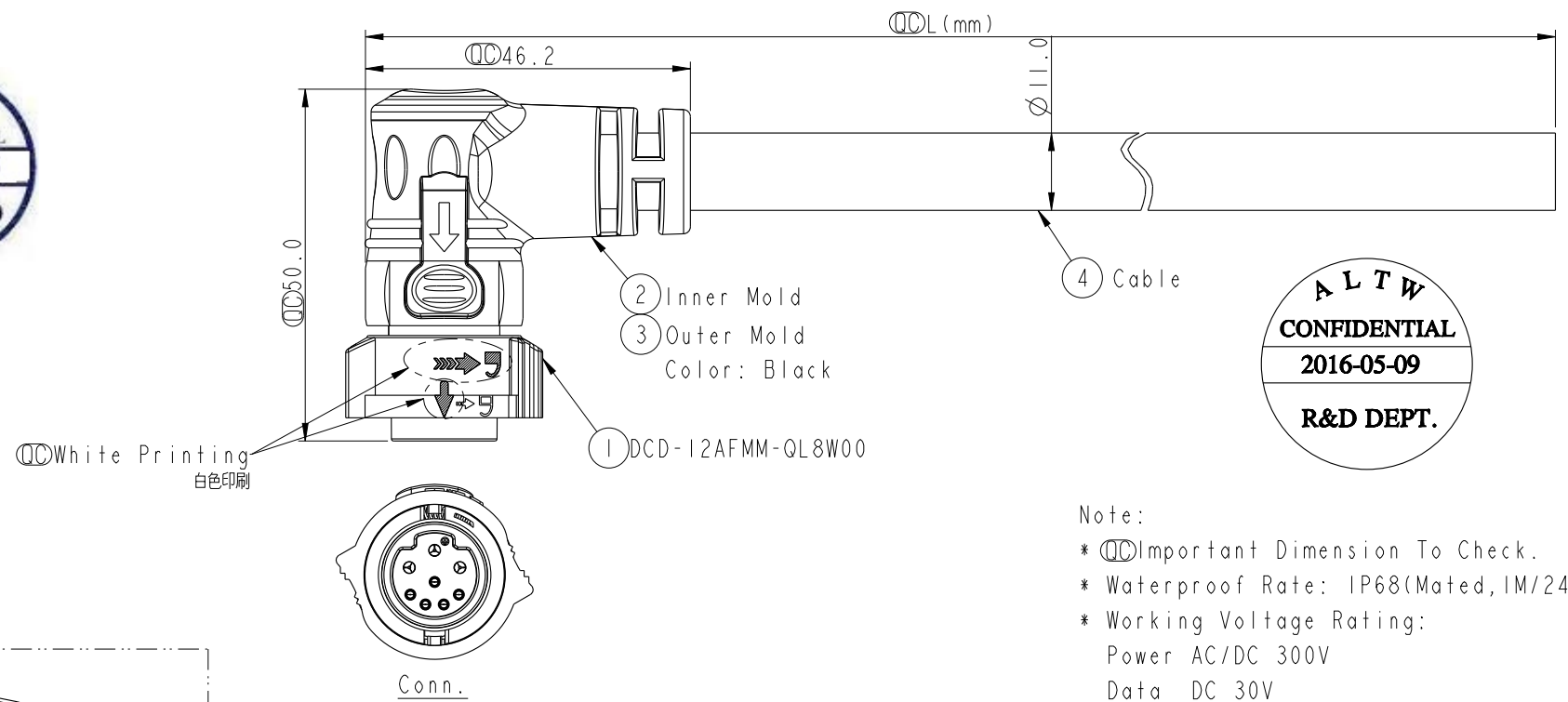
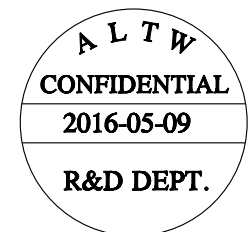
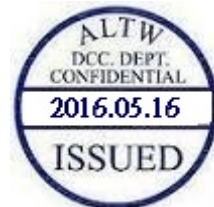


THIS DOCUMENT IS SUBJECT TO CHANGE WITHOUT NOTICE. IT IS CONFIDENTIAL AND A PROPERTY OF AMPHENOL LTW. DISCLOSURE TO THIRD PARTY HAS TO BE AUTHORIZED BY AMPHENOL LTW.

| | | | | |
|------|-----------------|------------|--------|------------------------|
| REV. | ECN NO. | DATE | SIGN | DESCRIPTION |
| A | Initial Release | 2016-05-09 | Spring | Change Rev.01 To Rev.A |

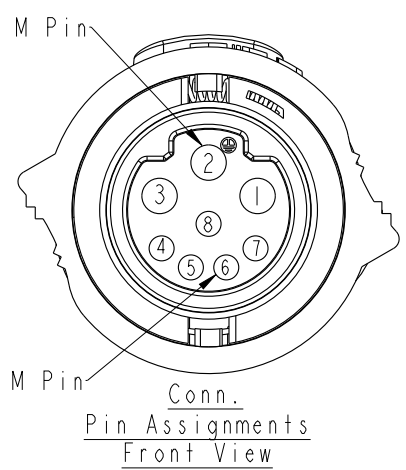


Note:

- * \varnothing Important Dimension To Check.
- * Waterproof Rate: IP68(Mated, 1M/24hr)
- * Working Voltage Rating:
Power AC/DC 300V
Data DC 30V
- * Working Current:
Power: 10A
Data: 05A
- * Housing: Nylon+GF, Black
- * Pins: Copper Alloy, Gold & Ni Plated
- * Cable: UL21996 3C*16AWG+(26#*2P+D+AL)+F+AL/MY, PVC Jacket, OD=11.0, Black.
- * Cable Length Tolerance: 01M:±40mm
02M~05M:±60mm
06M~10M:±100mm
11M~30M:±200mm
31M~99M:±500mm

CBD-08AFMM-QR8FXX
 XX : 01~99Meters
 01 : 01Meter
 02 : 02Meters
 :
 :
 99 : 99Meters
 Cable Length(L): 01~99Meters

| | | | | |
|---------|------------|---------|----|-------------|
| 8 | Drain | (26AWG) | 地線 | Twist 對線 |
| 7 | Blue | (26AWG) | 藍 | |
| 6 | Red | (26AWG) | 紅 | Twist 對線 |
| 5 | Green | (26AWG) | 綠 | |
| 4 | White | (26AWG) | 白 | |
| 3 | Black | (16AWG) | 黑 | |
| 2 | Green | (16AWG) | 綠 | |
| 1 | White | (16AWG) | 白 | |
| Conn. | Wire Color | | | |
| Pin Out | | | | |



| | |
|-----------|------|
| UNIT:mm | |
| TOLERANCE | ±0.5 |

| | | | |
|---|----------------|---------------------------------|--|
| TITLE X-Lok C Size Cable Molding(90°) 8 Pin F Connector M Pin | | | |
| SCALE 1:1 | SIZE A4 | SHEET 1 OF 1 | |
| REV. A | WC-REV. A.1 | \varnothing : Inspection item | |

Amphenol LTW
安費諾亮泰企業股份有限公司

| | | |
|-----------------------------|----------------------|--------------------|
| ITEM NO | DRAWN BY Spring | DATE 2016-05-09 |
| DWG NO CBD-08AFMM-QR8FXX | CHECKED BY Fisher | DATE 2016-05-09 |
| CUSTOMER ALTW | APPROVED BY Kevin | DATE 2016-05-09 |