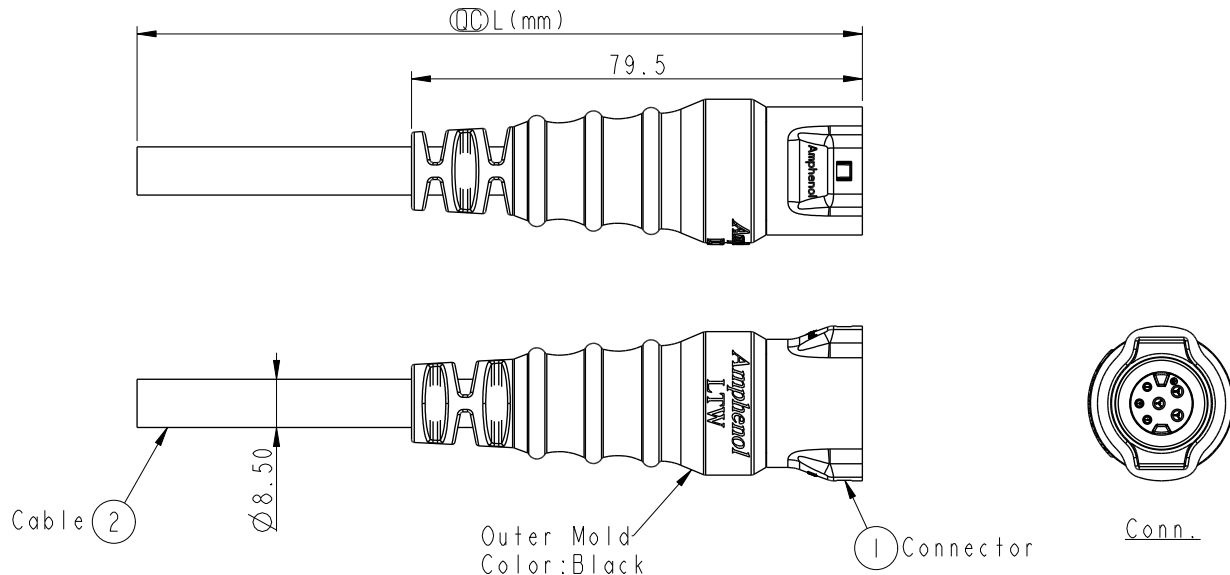


THIS DOCUMENT IS SUBJECT TO CHANGE WITHOUT NOTICE. IT IS CONFIDENTIAL AND A PROPERTY OF Amphenol LTW. DISCLOSURE TO THIRD PARTY HAS TO BE AUTHORIZED BY Amphenol LTW.

| | | | | |
|------|---------|------------|------|------------------|
| REV. | ECN NO. | DATE | SIGN | DESCRIPTION |
| B | C200960 | 2020/06/23 | Ruru | $\triangle B$ X4 |
| | | | | |

ALTW
 CONFIDENTIAL
 2020-06-23
 R&D DEPT.



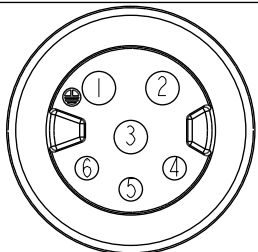
$\triangle B$ CBD-XXAFMM-RL8FXX
 XX: No. Of Pin(Pin數)

XX:01~99Meter
 01:01Meter
 02:02Meter
 ...
 99:99Meter

Cable Length(L):01~99Meters

$\triangle B$ Note:

- * $\text{\textcircled{L}}$ Important Dimension To Check
- * Waterproof Rate: IP68
- * Housing: Thermoplastic, Black
- * Male Pin: Copper Alloy, Gold Plated
- * Gasket: Rubber, Gray
- * Cable: UL21996 3C*16AWG+(20#*IP+D+AL)+F+AL/MY PVC Jacket, OD=8.5, Black
- * Cable Length Tolerance:
 - >0.3M~1.5M: +50/-0mm
 - >1.5M~3M: +100/-0mm
 - >3M~5M: +150/-0mm
 - >5M~10M: ± 100 mm
 - >10M~20M: ± 200 mm
 - >20M~30M: ± 300 mm
 - >30M~100M: ± 500 mm
- * Prohibiting the use of place in oils

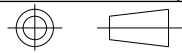


Conn.
Pin Assignments
Front View

| | | |
|-------|---------------|----|
| 6 | Drain (20AWG) | 地線 |
| 5 | White (20AWG) | 白 |
| 4 | Green (20AWG) | 綠 |
| 3 | Blue (16AWG) | 藍 |
| 2 | Red (16AWG) | 紅 |
| 1 | Black (16AWG) | 黑 |
| Conn. | Wire Color | |

Twist

UNIT:mm



TOLERANCE

± 0.5

| | | | |
|---|---------------|--|--|
| TITLE RBL, C-10A+5A, 06P, CABLE W/SR F, M, MOLDING, RBL | | | |
| SCALE 3:4 | SIZE A4 | SHEET 1 OF 1 | |
| REV. B | WC-REV. .0 | $\text{\textcircled{L}}$: Inspection item | |

Amphenol LTW

安費諾亮泰企業股份有限公司

| | | |
|--|----------------------|--------------------|
| ITEM NO. | DRAWN BY Peng | DATE 2019-04-30 |
| DWG NO. CBD-XXAFMM-RL8FXX $\triangle B$ | CHECKED BY Mafei | DATE 2019-04-30 |
| CUSTOMER ALTW | APPROVED BY Jerry | DATE 2019-04-30 |