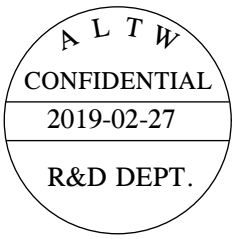
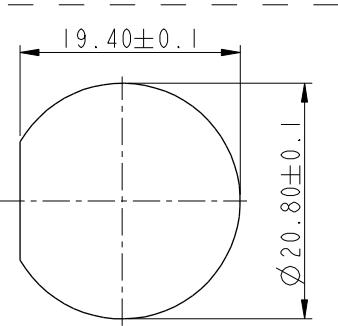
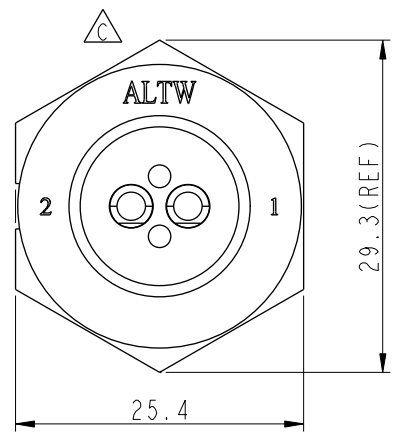
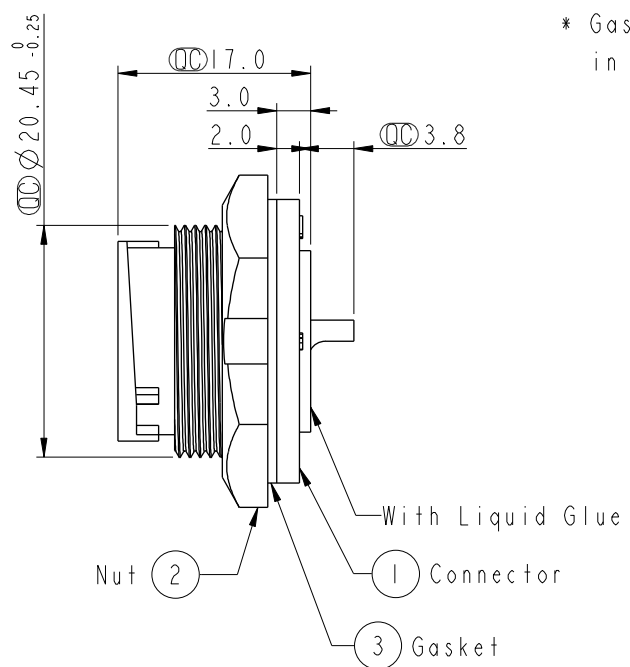
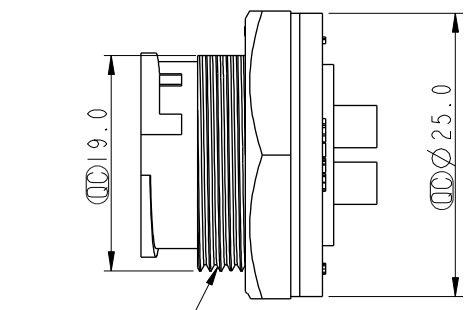


THIS DOCUMENT IS SUBJECT TO CHANGE WITHOUT NOTICE. IT IS CONFIDENTIAL AND A PROPERTY OF AMPHENOL LTW. DISCLOSURE TO THIRD PARTY HAS TO BE AUTHORIZED BY AMPHENOL LTW.

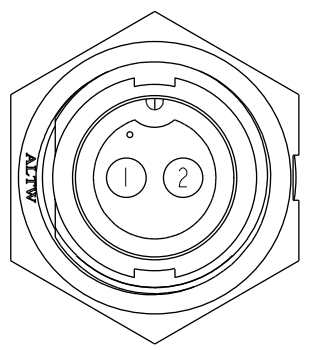
REV.	ECN NO.	DATE	SIGN	DESCRIPTION
B	LEN-8B0169	2008/09/25	Shin	Add Note
C	LEN1630257	2016/03/01	Ruru	Change Logo
D	CI90271	2019/02/27	Ruru	Modify Note



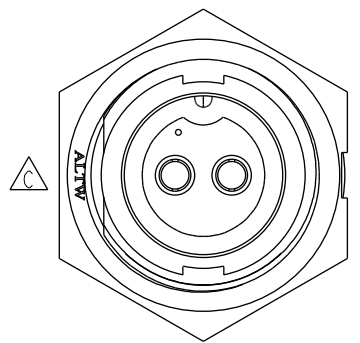
- Note:  $\triangle D$
- \*  $\text{CC}$  Important Dimension.
  - \* Waterproof Rate: IP67, Unmated
  - \* Housing: Thermoplastic, Black
  - \* Pin: Copper Alloy, Gold Plated
  - \* Nut: Thermoplastic, Black
  - \* Gasket: Rubber, Black
  - $\triangle B$ \* Use with waterproof cap or dust cap  
Panel Thickness Max: 3.0mm
  - $\triangle A$ \* Use without waterproof cap or dust cap  
Panel Thickness Max: 4.0mm
  - \* Gasket and Nut are packed separately in PE bags.



Recommended Panel Cut-Out



Pin Assignments Front View



UNIT:mm	
TOLERANCE	
.X	±0.25
.XX	±0.1
.XXX	±0.05
ANGLES	±1°

TITLE MIDDLE Panel Lock 2Pin M Conn F Pin			
SCALE 1:1	SIZE A4	SHEET 1 OF 1	
REV. D	WC-REV. A.3	$\text{CC}$ : Inspection item	

**Amphenol LTW**  
安費諾亮泰企業股份有限公司

ITEM NO. CC-02PMFS-LC7001	DRAWN BY Ruru	DATE 2019-02-27
DWG NO. CC-02PMFS-LC7001	CHECKED BY Rita	DATE 2019-02-27
CUSTOMER ALTW	APPROVED BY Max	DATE 2019-02-27