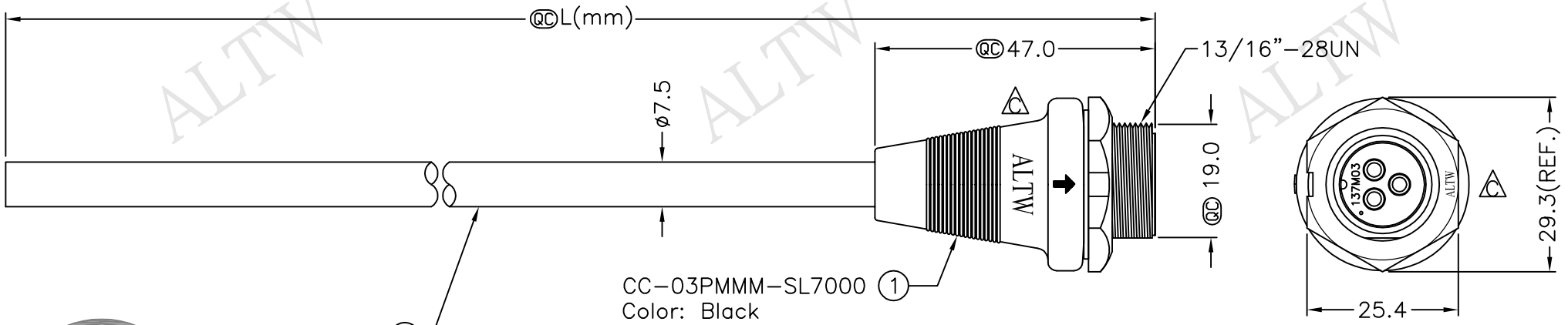


REV.	ECN NO.	DATE	SIGN	DESCRIPTION
B	LEN-8B0112~115	2008/09/25	Shin	Add Note
C	LEN1630275~278	2016/03/02	Ruru	Change Logo & Note

THIS DOCUMENT IS SUBJECT TO CHANGE WITHOUT NOTICE. IT IS CONFIDENTIAL AND A PROPERTY OF AMPHENOL LTW. DISCLOSE TO THIRD PARTY HAS TO BE AUTHORIZED BY AMPHENOL LTW.



CC-03PMMM-SL7000  
Color: Black

Cable ②

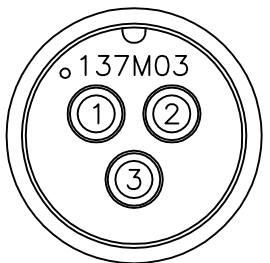
ALTW  
DCC. DEPT.  
CONFIDENTIAL  
2016.03.16  
ISSUED

ALTW  
CONFIDENTIAL  
2016.03.02  
R&D DEPT.

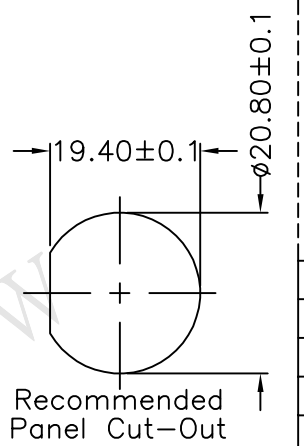
CC-03PMMM-SL7AXX

XX:01~99Meters  
01:01Meter  
02:02Meters  
:  
:  
:  
99:99Meters  
Cable Length(L):01~99Meters

- Note:
- \* @ Important Dimension.
  - \* Waterproof Rate: IP67
  - \* Housing: Nylon+GF, Black
  - \* Male Pin: Copper Alloy, Gold Plated
  - \* Gasket: EPDM, Black
  - \* Nut: Nylon+GF, Black
  - \* Cable: UL2464 16AWG\*3C+Drain+Al/My (UV Resistant)OD=7.5mm
- △\* Use with waterproof cap or dust cap  
Panel Thickness Max: 1.2mm
- △\* Use without waterproof cap or dust cap  
Panel Thickness Max: 2.0mm
- △\* Cable Length Tolerance: 01M: ±40mm  
02M~05M: ±60mm  
06M~10M: ±100mm  
11M~30M: ±200mm  
31M~99M: ±500mm



Pin Assignments  
Front View



Recommended  
Panel Cut-Out

3	Black	黑
2	Blue	藍
1	Brown	棕
Conn.	Wire Color	
	Pin Out	

UNIT:mm	
TOLERANCE	±0.5 mm

TITLE	Middle	
	Panel Screw 3Pin M Conn M Pin	
SCALE	Free	SHEET 1 OF 1
REV. C	SIZE A4	@ :Inspection Item

**Amphenol LTW**  
安費諾亮泰企業股份有限公司

ITEM NO	
DWG NO	CC-03PMMM-SL7AXX
CUSTOMER	ALTW

DRAWN BY	Ruru
CHECKED BY	Rita
APPROVED BY	Lisa

DATE	2016/03/02
DATE	2016/03/02
DATE	2016/03/02