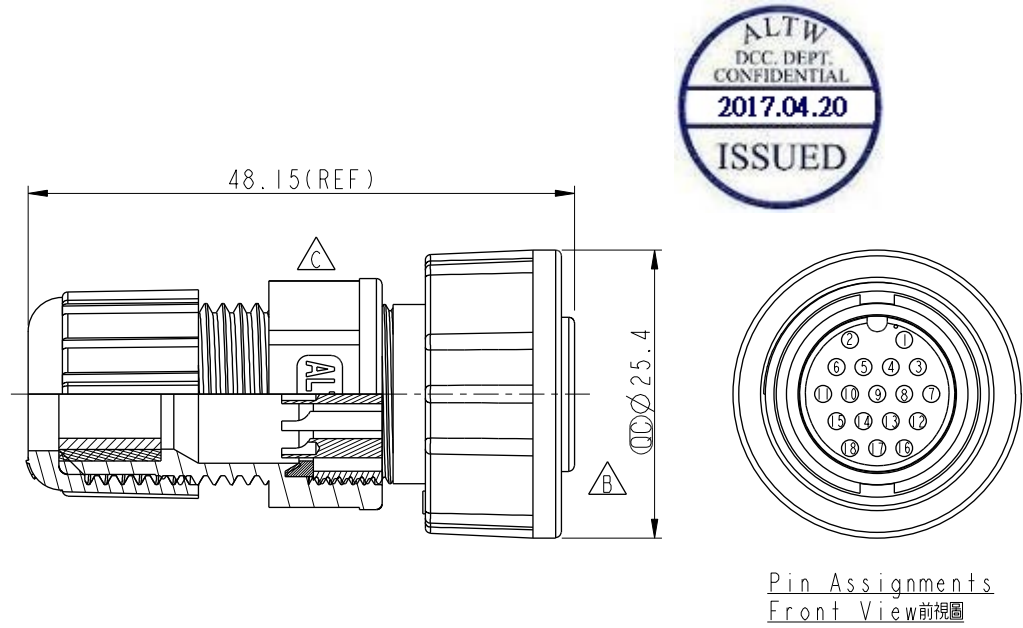
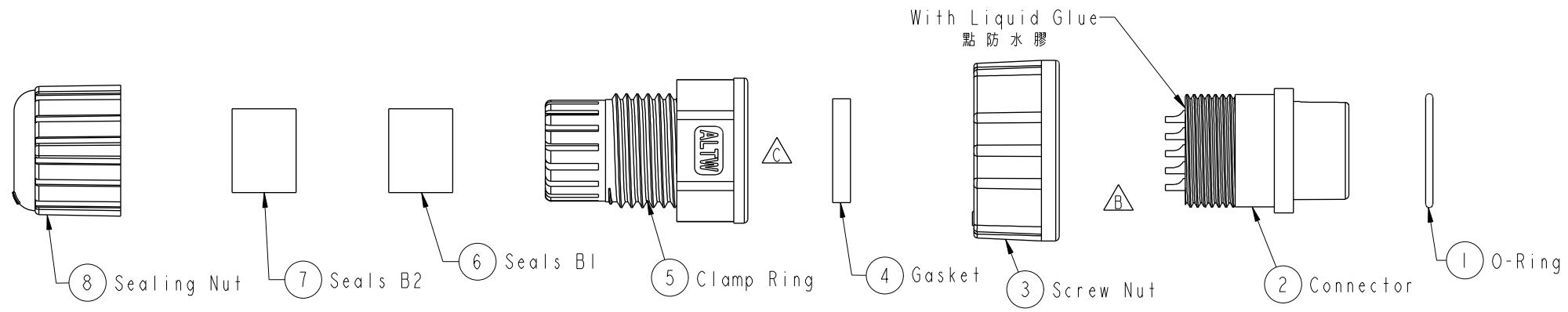


THIS DOCUMENT IS SUBJECT TO CHANGE WITHOUT NOTICE. IT IS CONFIDENTIAL AND A PROPERTY OF AMPHENOL LTW. DISCLOSURE TO THIRD PARTY HAS TO BE AUTHORIZED BY AMPHENOL LTW.

REV.	ECN NO.	DATE	SIGN	DESCRIPTION
B	LEN-0C0139	2010/11/25	IVNA	Change 前導角 View
C	LEN1741192	2017/04/12	Ruru	Change Logo



Pin Assignments
Front View 前視圖

- Notes:
- * \varnothing Important Dimension.
 - * Connector: Nylon+GF, Black
 - * Female Pin: Copper Alloy, Gold Plated.
 - * O-Ring: EPDM, Black.
 - * Screw Nut: Nylon+GF, Black
 - * Gasket: Silicone, Black
 - * Sealing Nut: Nylon, Black.
 - * Clamp Ring: Nylon, Black.
 - * Seals: EPDM, Black
 - * Seals B1 for Cable OD: $\varnothing 7.6\text{mm} \sim \varnothing 9.6\text{mm}$
(防水圈B1線徑: $\varnothing 7.6\text{mm} \sim \varnothing 9.6\text{mm}$)
 - * Seals B2 for Cable OD: $\varnothing 4.0\text{mm} \sim \varnothing 7.6\text{mm}$
(防水圈B2線徑: $\varnothing 4.0\text{mm} \sim \varnothing 7.6\text{mm}$)
 - * One Set Unassembled in One PE Bag.
(每一組未組裝, 放置於一個PE袋, 並封口)

A	UNIT: mm	TITLE	Amphenol LTW		ITEM NO	DRAWN BY	DATE
	TOLERANCE	18Pin Female Connector Female Pin(2A)	安費諾亮泰企業股份有限公司		CU-18BFFA-SL7001	Ruru	2017-04-12
	.X ±0.25	SCALE	SIZE	SHEET	OF	CHECKED BY	DATE
	.XX ±0.1	1:1	A4	1	1	Rita	2017-04-12
.XXX ±0.05	REV.	WC-REV.	QC: Inspection item		CUSTOMER	APPROVED BY	DATE
ANGLES ±1°	C	A.2			ALTW	Max	2017-04-12
	2	3	4	5	6	7	8