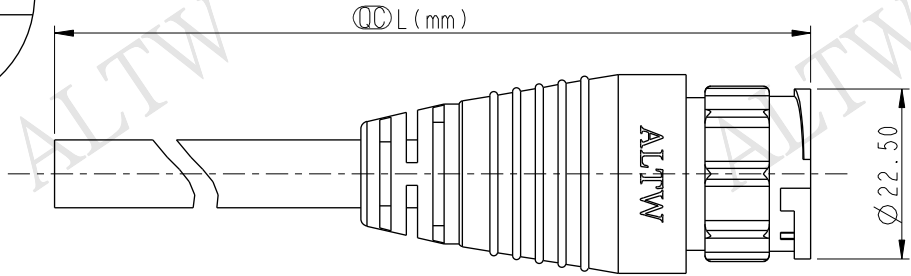
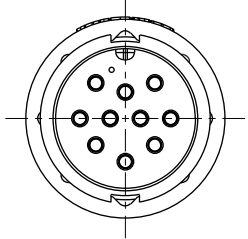
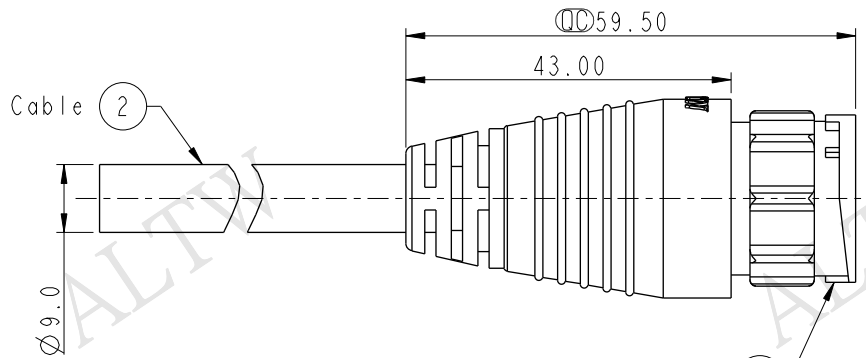


ALTW  
CONFIDENTIAL  
2014-06-18  
R&D DEPT.

REV.	ECN NO.	DATE	SIGN	DESCRIPTION



ALTW  
DCC. DEPT.  
CONFIDENTIAL  
2014.07.01  
ISSUED

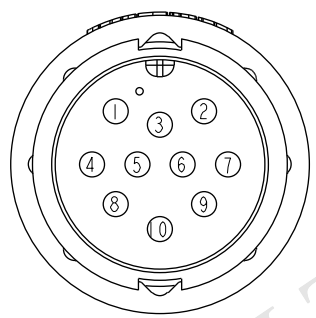


DB-10AMMM-LL7AXX

XX: 01~99Meters  
01: 01Meters  
02: 02Meters  
...  
99: 99Meters

Cable Length(L): 01~99Meters

DB-10AMMM-LL7000  
Color: Black



Pin Assignments  
Front View

5	Yellow(黃)	10	White(白)
4	Orangr(橘)	9	Gray(灰)
3	Red(紅)	8	Purple/Violet(紫)
2	Brown(棕)	7	Blue(藍)
1	Black(黑)	6	Green(綠)
Conn.	Wire Color	Conn.	Wire Color
Pin Out		Pin Out	

Note:  
 \*  $\varnothing$  Important Dimension To Check.  
 \* Waterproof Rate: IP67  
 \* Housing: Nylon+GF, Black.  
 \* Male Pin: Copper Alloy, Gold Plated.  
 \* Cable: UL2464 18AWG\*10C+D, PVC Jacket, UV Resistant, OD=9.0mm, Black.  
 \* Cable Length Tolerance: 01M:±40mm  
 02M~05M:±60mm  
 06M~10M:±100mm  
 11M~30M:±200mm  
 31M~99M:±500mm

UNIT:mm  
TOLERANCE  
±0.5

TITLE  
LARGE  
CABLE LOCK 10PIN M CONN M PIN  
SCALE 1:1 SIZE A4 SHEET 1 OF 1  
REV. A WC-REV. A.2  $\varnothing$ : Inspection item

Amphenol LTW  
安費諾亮泰企業股份有限公司

ITEM NO	DRAWN BY Tony Chang	DATE 2014-06-18
DWG NO DB-10AMMM-LL7AXX	CHECKED BY Rita	DATE 2014-06-18
CUSTOMER ALTW	APPROVED BY Wenmao	DATE 2014-06-18

THIS DOCUMENT IS SUBJECT TO CHANGE WITHOUT NOTICE. IT IS CONFIDENTIAL AND A PROPERTY OF Amphenol LTW. DISCLOSURE TO THIRD PARTY HAS TO BE AUTHORIZED BY Amphenol LTW.