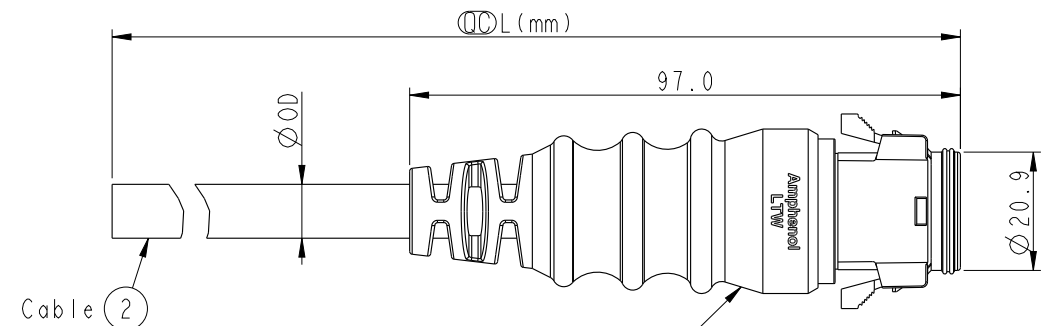
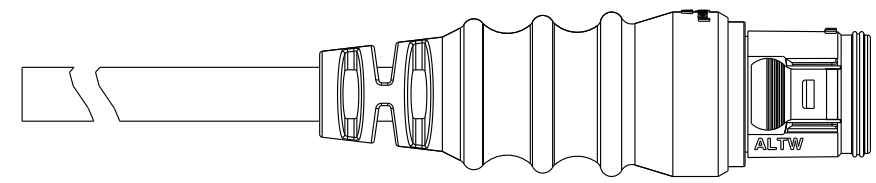
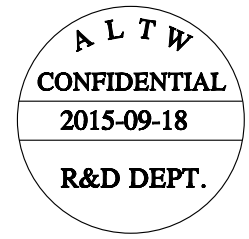
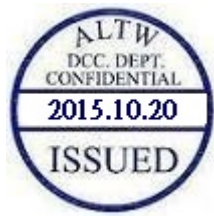


THIS DOCUMENT IS SUBJECT TO CHANGE WITHOUT NOTICE. IT IS CONFIDENTIAL AND A PROPERTY OF Amphenol LTW. DISCLOSURE TO THIRD PARTY HAS TO BE AUTHORIZED BY Amphenol LTW.

REV.	ECN NO.	DATE	SIGN	DESCRIPTION
B	LEN1580339~41	2015/08/20	Lu Di	Change To Comon Drawing
C	LEN1590399~401	2015/09/18	Joyy	Modify The Housing Structure



DD-XXAMFM-RL7000 (1)
Color: Black



DD-XXAMFM-RL7A XX

Large Size Current Rating 5A

XX: No. Of Pin (Pin 數)

A: Cable With S/R (線端帶網尾)

M: Male Connector (公座)

F: Female Pin (母Pin)

M: Molding Type (射出成型)

XX: 01~99 Meter
 01: 01 Meter
 02: 02 Meter
 ...
 99: 99 Meter

A: UL 2464 Cable
 7: IP67 (防水等級 67)
 L: Straight (180°)
 R: Snap In With Latch (彈臂卡合)

Note:

- * \varnothing Important Dimension
- * Waterproof Rate: IP67
- * Housing: M-PPE, Black
- * Female Pin: Copper Alloy, Gold Plated
- * Cable: UL2464 20#, PVC Jacket, Black.
- * Cable Length Tolerance: 01M: ±40mm
 02M~05M: ±60mm
 06M~10M: ±100mm
 11M~30M: ±200mm
 31M~99M: ±500mm
- * Prohibiting the use of place in oils

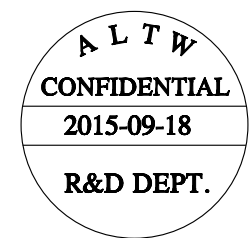
DD-10AMFM-RL7AXX	Ø 9.0
DD-12AMFM-RL7AXX	
DD-14AMFM-RL7AXX	Ø 9.5
Part No.	Cable OD

UNIT: mm		TITLE
TOLERANCE	±0.5	LARGE CABLE RBL M CONN F PIN
SCALE	3:4	SIZE A4
REV.	C	SHEET 1 OF 2
WC-REV.	A.5	\varnothing : Inspection item

Amphenol LTW
安費諾亮泰企業股份有限公司

ITEM NO.	DRAWN BY	DATE
	Lu Di	2015-09-18
DWG NO.	CHECKED BY	DATE
DD-XXAMFM-RL7AXX	Joyy	2015-09-18
CUSTOMER	APPROVED BY	DATE
ALTW	Jerry	2015-09-18

THIS DOCUMENT IS SUBJECT TO CHANGE WITHOUT NOTICE. IT IS CONFIDENTIAL AND A PROPERTY OF AMPHENOL LTW. DISCLOSURE TO THIRD PARTY HAS TO BE AUTHORIZED BY AMPHENOL LTW.



F			
E			
D	Pin Out		
C	14 -- 13 Purple(紫) 12 Brown(棕) 11 -- 10 Orange(橘) 9 Yellow(黃) 8 -- 7 Gray(灰) 6 Red(紅) 5 Green(綠) 4 Blue(藍) 3 -- 2 White(白) 1 Black(黑)	14 Pink(粉紅) 13 Purple(紫) 12 Brown(棕) 11 Black/white (黑/白) 10 Orange(橘) 9 Yellow(黃) 8 -- 7 Gray(灰) 6 Red(紅) 5 Green(綠) 4 Blue(藍) 3 -- 2 White(白) 1 Black(黑)	14 Black/White(黑/白) 13 Brown/White(棕/白) 12 Light Green(淺綠) 11 Pink(粉紅) 10 Purple(紫) 9 Brown(棕) 8 Orange(橘) 7 Yellow(黃) 6 Gray(灰) 5 Red(紅) 4 Green(綠) 3 Blue(藍) 2 White(白) 1 Black(黑)
B	Pin Assignments Front View		
A	<p>10Pin</p>	<p>12Pin</p>	<p>14Pin</p>

A	UNIT:mm TOLERANCE ± 0.5	TITLE LARGE CABLE RBL M CONN F PIN SCALE 3:4 SIZE A4 SHEET 2 OF 2 REV. C WC-REV. A.5 Inspection item	<h1 style="text-align: center;">Amphenol LTW</h1> <p style="text-align: center;">安費諾亮泰企業股份有限公司</p>	ITEM NO DD-XXAMFM-RL7AXX CUSTOMER ALTW	DRAWN BY Joyy CHECKED BY Lu Di APPROVED BY Jerry	DATE 2015-09-18 DATE 2015-09-18 DATE 2015-09-18
---	---------------------------------------	---	--	---	---	--