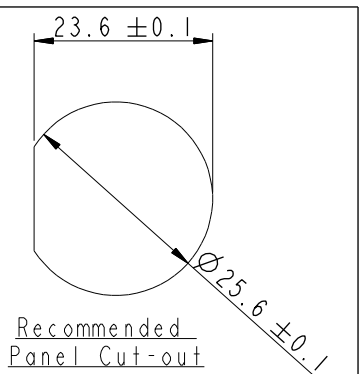
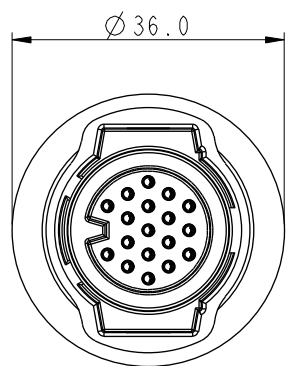
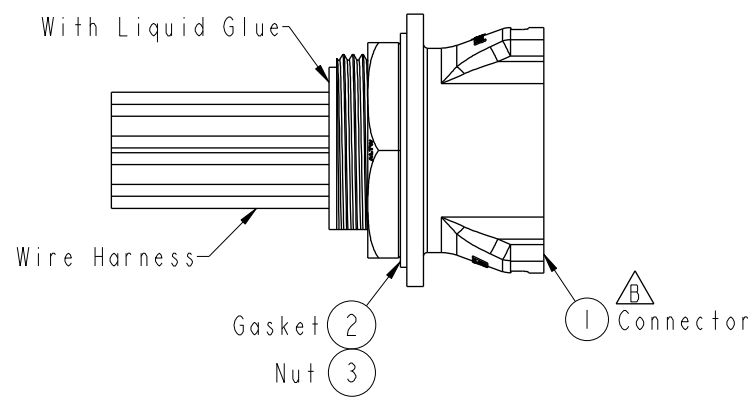
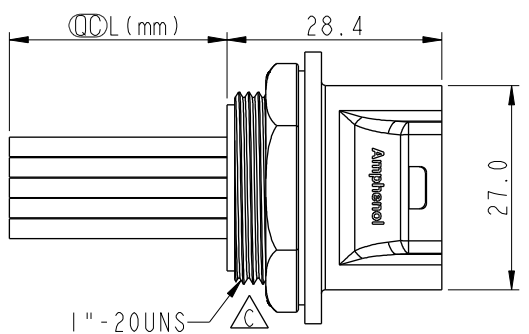
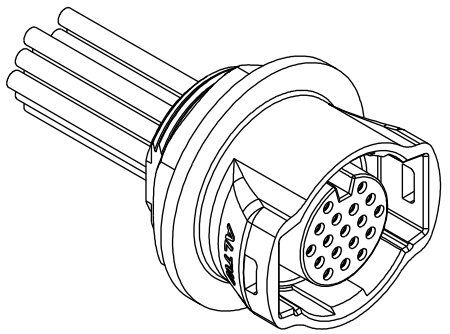


REV.	ECN NO.	DATE	SIGN	DESCRIPTION
B	LE315A0076-079	2015/09/18	Joyy	Modify The Drawing
C	LENI660001-004	2016/05/27	Vicky	Update Nut View
D	EI91618	2019/09/12	Ruru	Update Code & Wire Tolerance



Note:

- * QC Important Dimension To Check.
- * Waterproof Rate: IP67
- * Housing: M-PPE, Black.
- * Female Pin: Copper Alloy, Gold Plated.
- * Gasket: Silicone, Gray.
- * Nut: Nylon+GF, Black.
- * Wire Harnss: ULI430 20#
- * Panel Thickness Max: 5.0mm
- * Recommended Nut Torque: 4~7 kgf.cm
- * Wire Harness Tolerance: 100mm \pm 10mm
101~300mm \pm 15mm
301~1000mm \pm 20mm

\triangle * Prohibiting the use of place in oils

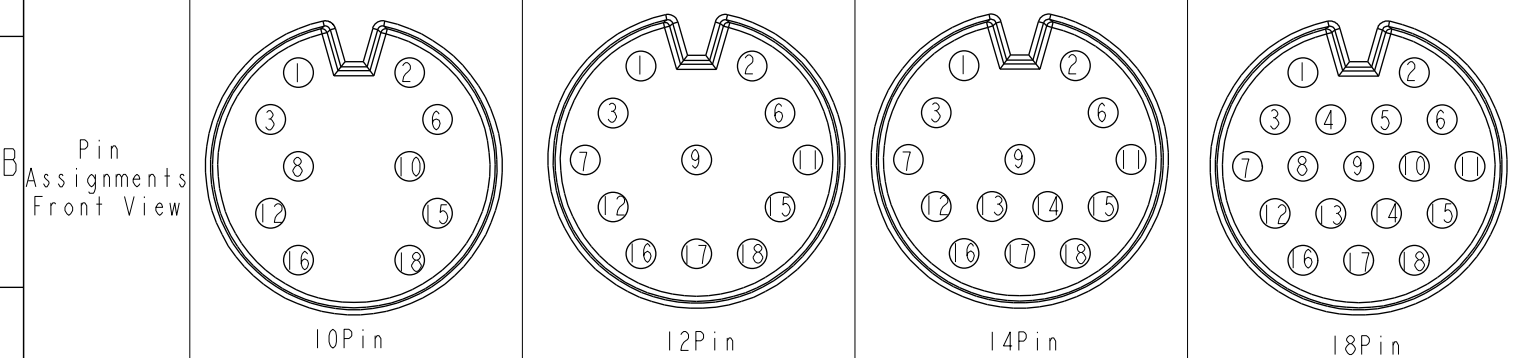
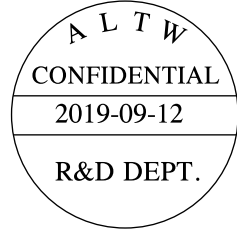
UNIT: mm TOLERANCE ± 0.5	TITLE LARGE PANEL RBL F CONN F PIN		Amphenol LTW 安費諾亮泰企業股份有限公司		ITEM NO	DRAWN BY Ruru	DATE 2019-09-12		
	SCALE 1:1	SIZE A4			SHEET 1	OF 3	DWG NO DD-XXRFFC-RC7BXX	CHECKED BY Rita	DATE 2019-09-12
	REV. D	WC-REV. A.4			QC : Inspection item		CUSTOMER ALTW	APPROVED BY Max	DATE 2019-09-12

THIS DOCUMENT IS SUBJECT TO CHANGE WITHOUT NOTICE. IT IS CONFIDENTIAL AND A PROPERTY OF Amphenol LTW. DISCLOSURE TO THIRD PARTY HAS TO BE AUTHORIZED BY Amphenol LTW.

THIS DOCUMENT IS SUBJECT TO CHANGE WITHOUT NOTICE. IT IS CONFIDENTIAL AND A PROPERTY OF AMPHENOL LTW. DISCLOSURE TO THIRD PARTY HAS TO BE AUTHORIZED BY AMPHENOL LTW.

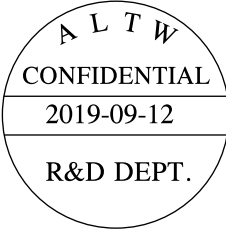
△B

Pin Out	18 Purple(紫)	18 Black/White(黑/白)	18 Black/White(黑/白)	18 Light Green(淺綠)
	17 --	17 Orange(橘)	17 Brown/White(棕/白)	17 Green/White(綠/白)
	16 Brown(棕)	16 Pink(粉紅)	16 Light Green(淺綠)	16 Orange/White(橘/白)
	15 Orange(橘)	15 Gray(灰)	15 Pink(粉紅)	15 Brown/White(棕/白)
	14 --	14 --	14 Purple(紫)	14 Blue/White(藍/白)
	13 --	13 --	13 Brown(棕)	13 Black/White(黑/白)
	12 Yellow(黃)	12 Purple(紫)	12 Orange(橘)	12 Red/White(紅/白)
	11 --	11 Yellow(黃)	11 Yellow(黃)	11 Orange(橘)
	10 Gray(灰)	10 --	10 --	10 Pink(粉紅)
	9 --	9 Green(綠)	9 Gray(灰)	9 Gray(灰)
	8 Red(紅)	8 --	8 --	8 Purple(紫)
	7 --	7 White(白)	7 Red(紅)	7 Yellow(黃)
	6 Green(綠)	6 Brown(棕)	6 Green(綠)	6 Green(綠)
	5 --	5 --	5 --	5 White(白)
	4 --	4 --	4 --	4 Brown(棕)
	3 Blue(藍)	3 Blue(藍)	3 Blue(藍)	3 Blue(藍)
	2 White(白)	2 Black(黑)	2 White(白)	2 Black(黑)
	1 Black(黑)	1 Red(紅)	1 Black(黑)	1 Red(紅)



UNIT:mm TOLERANCE ±0.5	TITLE LARGE PANEL RBL F CONN F PIN		Amphenol LTW 安費諾亮泰企業股份有限公司	ITEM NO	DRAWN BY Ruru	DATE 2019-09-12	
	SCALE 1:1	SIZE A4		SHEET 2 OF 3	DWG NO DD-XXRFFC-RC7BXX	CHECKED BY Rita	DATE 2019-09-12
	REV. D	WC-REV. A.4		QC: Inspection item	CUSTOMER ALTW	APPROVED BY Max	DATE 2019-09-12

THIS DOCUMENT IS SUBJECT TO CHANGE WITHOUT NOTICE. IT IS CONFIDENTIAL AND A PROPERTY OF Amphenol LTW. DISCLOSURE TO THIRD PARTY HAS TO BE AUTHORIZED BY Amphenol LTW.



DD-XXRFFC-RC7BXX

Large Size Current Rating 5A
 XX:No. Of Pin(Pin 數)
 R:Panel Rear Mounting(後續嵌面板式)
 F:Female Connector(母座)
 F:Female Pin(母Pin)
 C: Crimp Type(壓線組裝式)

10:100mm
 15:150mm
 20:200mm
 5
 △A0:1000mm
 Cable Pitch Unit=50mm
 Wire Length (L):100~1000 mm
 B:UL 1430
 7:IP67(防水等級 67)
 C: Circular(圓座)
 R: Snap In With Latch(彈臂卡合)

1	2	3	4	5	6	7	8
F							
E							
D							
C							
B							
A							

UNIT:mm

TITLE LARGE PANEL RBL F CONN F PIN		
SCALE 1:1	SIZE A4	SHEET 3 OF 3
REV. D	WC-REV. A.4	QC: Inspection item

Amphenol LTW
 安費諾亮泰企業股份有限公司

ITEM NO	DRAWN BY Ruru	DATE 2019-09-12
DWG NO DD-XXRFFC-RC7BXX	CHECKED BY Rita	DATE 2019-09-12
CUSTOMER ALTW	APPROVED BY Max	DATE 2019-09-12