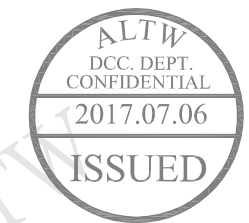
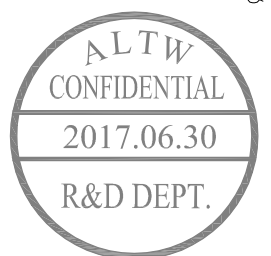
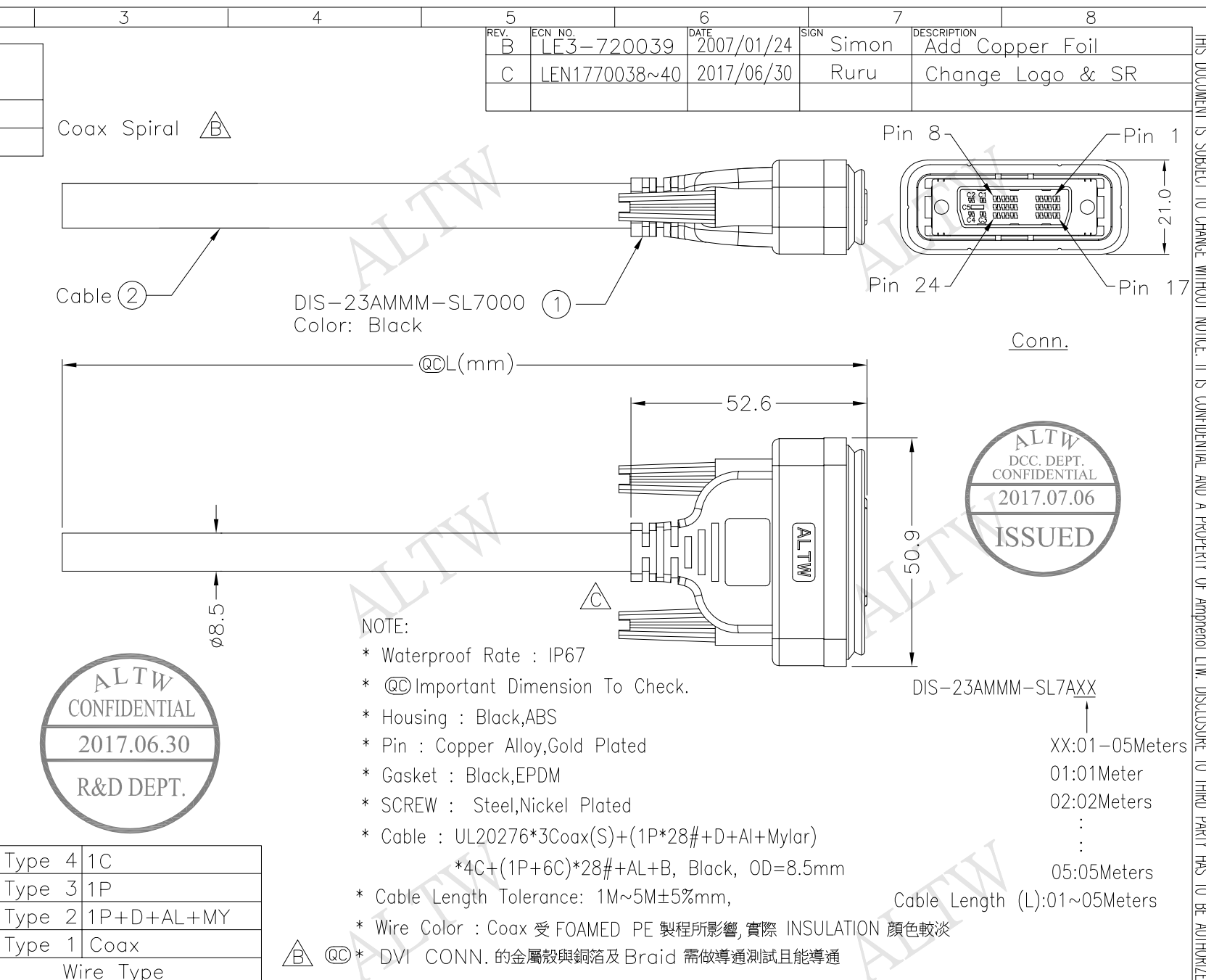


	1	2	3	4	5	6	7	8
F	C5	White	4					
	C4	Purple	4					
	C3	Blue	1					
	C2	Green	1					
	C1	RED	1					
	24	White						
	23	Blue	2					
	22	Drain						
E	21							
	20							
	19	Drain						
	18	Green	2					
	17	White						
	16	Green	4					
D	15	Orange						
	14	Yellow	3					
	13							
	12							
	11	Drain						
C	10	Red	2					
	9	White						
	8	Red	4					
	7	Brown	4					
	6	Black	4					
	5							
	4							
B	3	Drain						
	2	Brown	2					
	1	White						
	Conn.	Wire Color	Wire Type	Type 1	Coax			
		Pin Out	Wire Type	Type 4	1C			
				Type 3	1P			
				Type 2	1P+D+AL+MY			



NOTE:

- * Waterproof Rate : IP67
- * \textcircled{C} Important Dimension To Check.
- * Housing : Black,ABS
- * Pin : Copper Alloy,Gold Plated
- * Gasket : Black,EPDM
- * SCREW : Steel,Nickel Plated
- * Cable : UL20276*3Coax(S)+(1P*28#+D+Al+Mylar)*4C+(1P+6C)*28#+AL+B, Black, OD=8.5mm
- * Cable Length Tolerance: 1M~5M \pm 5%mm,
- * Wire Color : Coax 受 FOAMED PE 製程所影響,實際 INSULATION 顏色較淡

UNIT:mm		TITLE	DIS 18+5 M Pin M Conn 180	
TOLERANCE	± 0.5 mm	SCALE	Free	SHEET 1 OF 1
REV.	C	SIZE	A4	\textcircled{C} :Inspection Item

Amphenol LTW		ITEM NO	DRAWN BY	DATE
安費諾亮泰企業股份有限公司		DWG NO	Ruru	2017/06/30
		DIS-23AMMM-SL7AXX	CHECKED BY	DATE
			Rita	2017/06/30
		CUSTOMER	APPROVED BY	DATE
		ALTW	Max	2017/06/30

THIS DOCUMENT IS SUBJECT TO CHANGE WITHOUT NOTICE. IT IS CONFIDENTIAL AND A PROPERTY OF Amphenol LTW. DISCLOSURE TO THIRD PARTY HAS TO BE AUTHORIZED BY Amphenol LTW.