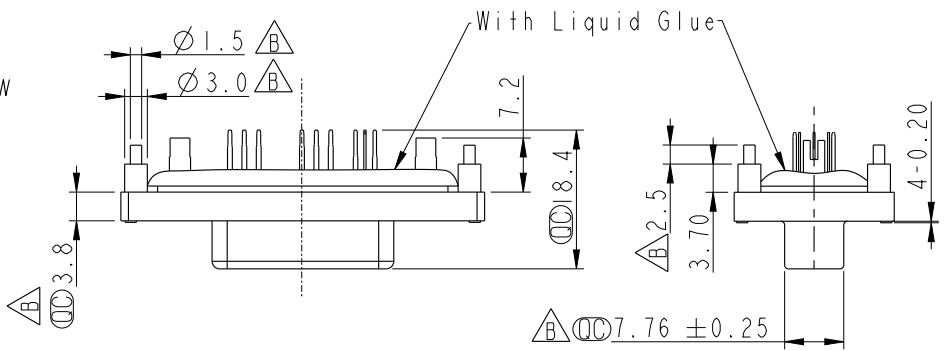
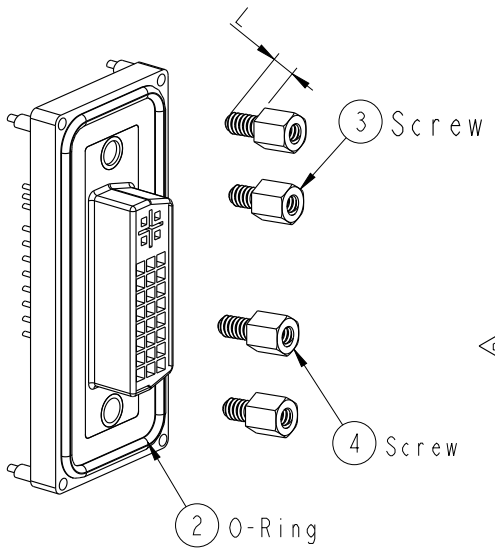
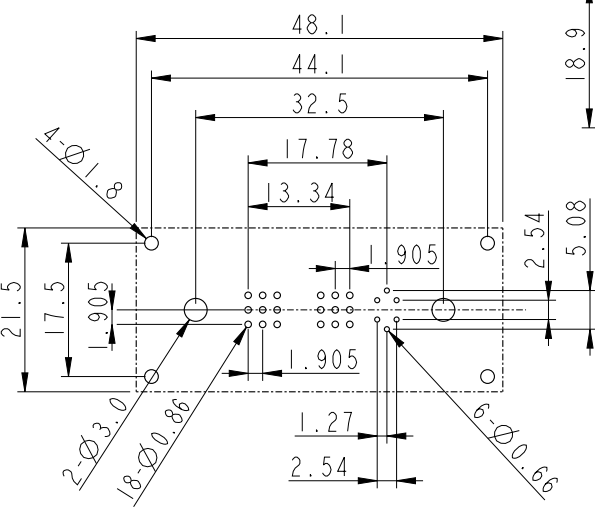


REV.	ECN NO.	DATE	SIGN	DESCRIPTION
A	Initial Release	2016-10-24	Joyy	Change Rev.01 To Rev.A
B	C210385	2021-03-21	Xiaofeng	$\triangle B$ X8

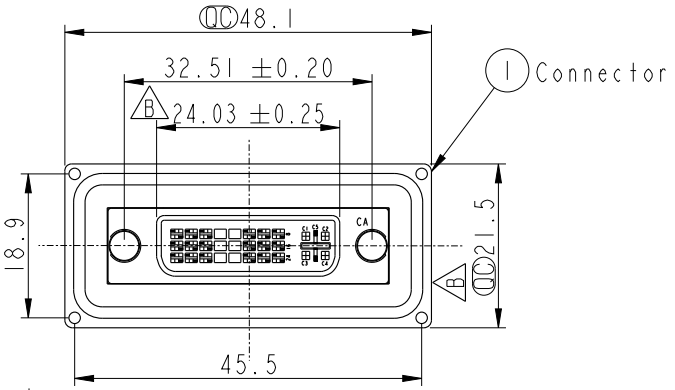


③ Screw L=5.0 For Panel Thickness Under 1.2mm
適用板厚為 1.2mm 以下

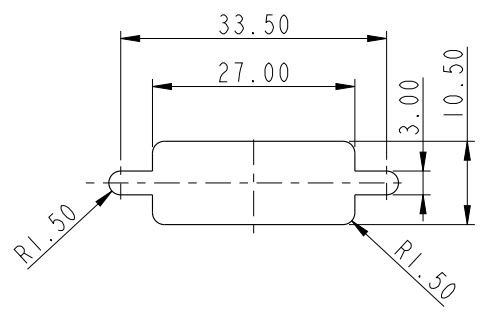
④ Screw L=6.0 For Panel Thickness Between 1.2~2.0mm
適用板厚為 1.2~2.0mm



Recommended PCB Lay_out



- Note:
- * ϕ Important Dimension.
 - * Waterproof Rate: IP68
 - * DVI Conn.: Nylon66, Black Core
 - * Plastic Jacket: Nylon+GF, Black
 - * Pin: Copper Alloy, Gold Plated
 - * O-Ring: Silicone, Black
 - * Screw: Copper Alloy, Nickel Plated, #4-40 UNC
 - * For PCB Thickness: Max=2.0mm



Recommended Panel Cut-Out
建議挖孔尺寸

UNIT: mm		TITLE	Female DVI Connector(18+5)		
TOLERANCE		SCALE	SIZE	SHEET	OF
.X	± 0.25	1:1	A4	1	1
.XX	± 0.1	REV.	WC-REV.	ϕ : Inspection item	
.XXX	± 0.05	B	A.1		
ANGLES	$\pm 1^\circ$				

Amphenol LTW
安費諾亮泰企業股份有限公司

ITEM NO.	DIS-23PFFP-SL8001	DRAWN BY	Joyy	DATE	2016-10-24
DWG NO.	DIS-23PFFP-SL8001	CHECKED BY	Ma Fei	DATE	2016-10-24
CUSTOMER	ALTW	APPROVED BY	Jerry	DATE	2016-10-24

THIS DOCUMENT IS SUBJECT TO CHANGE WITHOUT NOTICE. IT IS CONFIDENTIAL AND A PROPERTY OF Amphenol LTW. DISCLOSURE TO THIRD PARTY HAS TO BE AUTHORIZED BY Amphenol LTW.