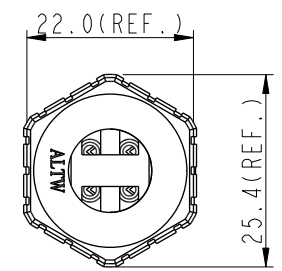
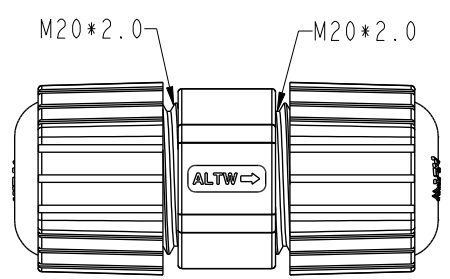
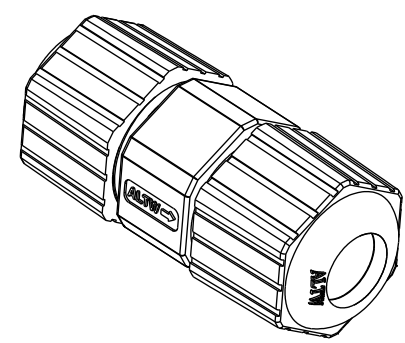
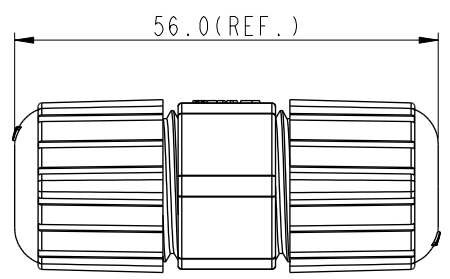
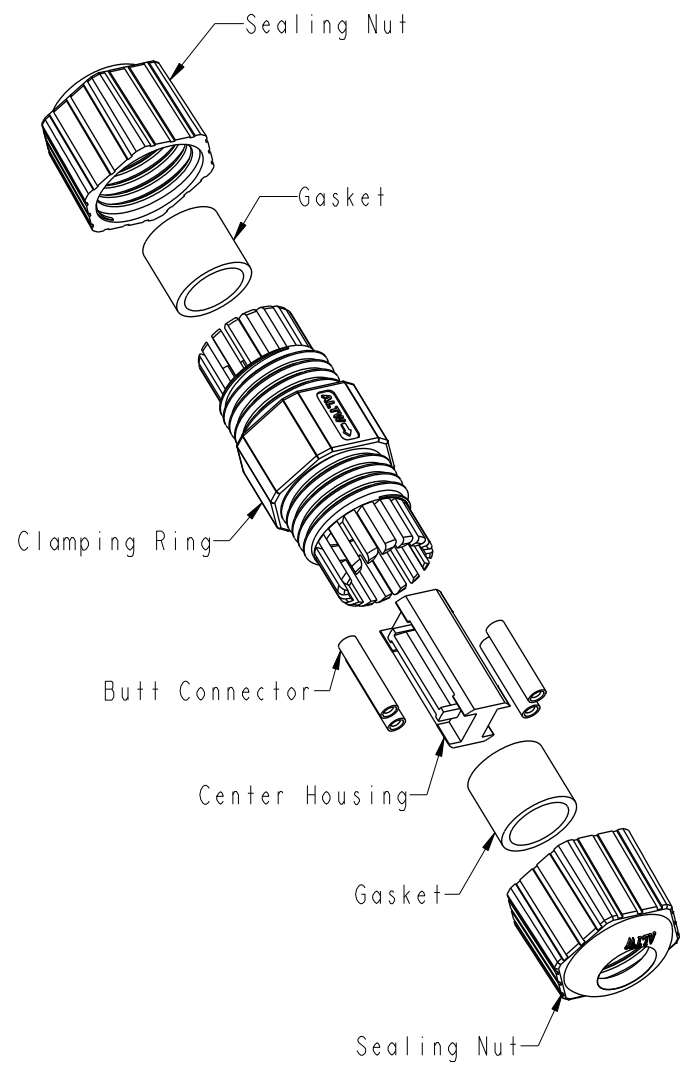


THIS DOCUMENT IS SUBJECT TO CHANGE WITHOUT NOTICE. IT IS CONFIDENTIAL AND A PROPERTY OF Amphenol LTW. DISCLOSURE TO THIRD PARTY HAS TO BE AUTHORIZED BY Amphenol LTW.

REV.	ECN NO.	DATE	SIGN	DESCRIPTION
A	Initial Released	2020/11/25	Ruru	Old Item No. CX-04BAM20-7001



- Note:
- * Waterproof Rate: IP67, Mated
 - * Sealing Nut: Thermoplastic, Black
 - * Gasket: Rubber, Black
 - * Center Housing: Thermoplastic, Black
 - * Clamping Ring: Thermoplastic, Black
 - * Butt Connector: 16~22 AWG
 - * Cable Range: $\phi 6-\phi 10$ mm
 - * One Set non-Assembly in One PE Bag

UNIT:mm			TITLE
TOLERANCE	± 0.5 mm		FICX, 4, 1, Field Installable Crimp, Black
SCALE	1:1	SIZE	A4
REV.	A	WC-REV.	A.1
			☉: Inspection item

Amphenol LTW
安費諾亮泰企業股份有限公司

ITEM NO.	FC-041BCBK-7001	DRAWN BY	Ruru	DATE	2020-11-25
DWG NO.	FC-041BCBK-7001	CHECKED BY	Rita	DATE	2020-11-25
CUSTOMER	ALTW	APPROVED BY	Max	DATE	2020-11-25