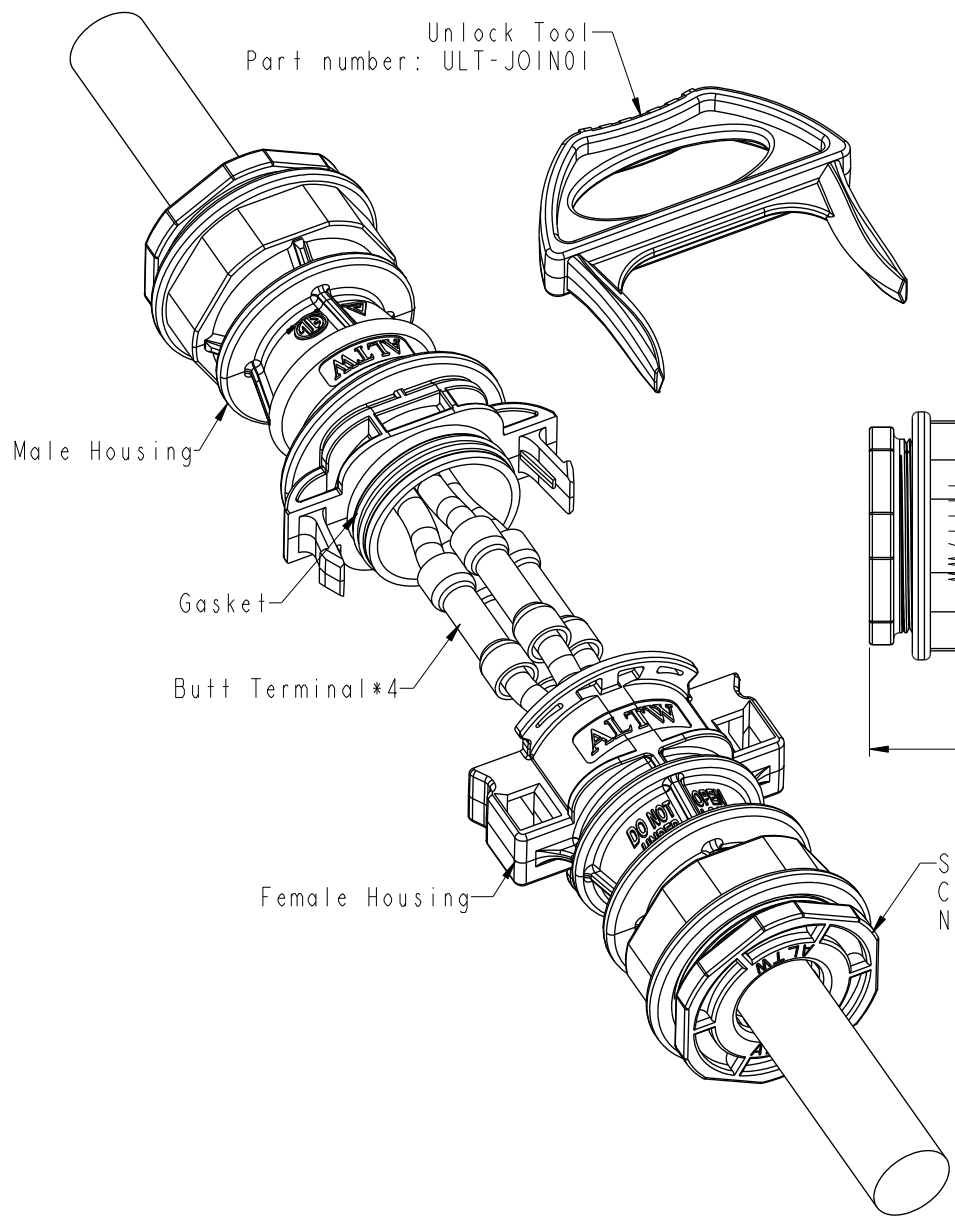
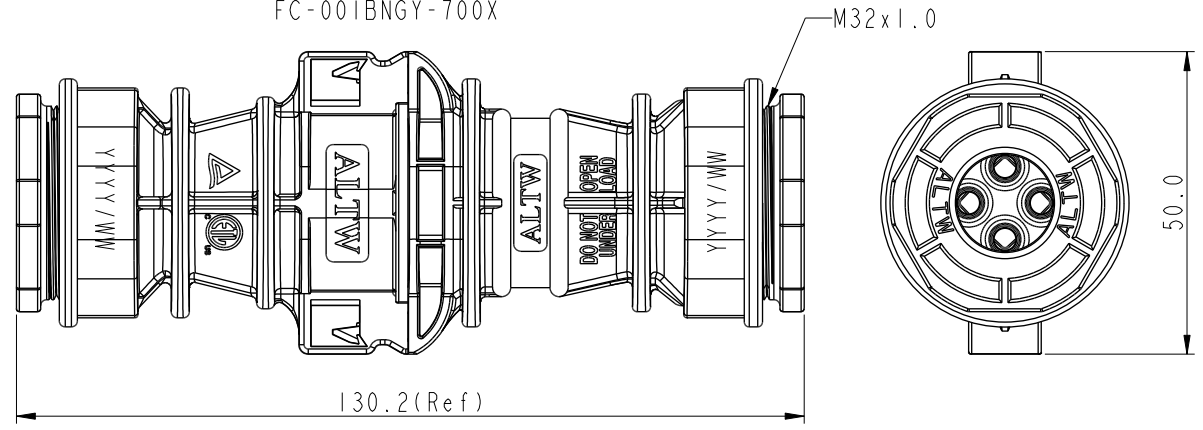


THIS DOCUMENT IS SUBJECT TO CHANGE WITHOUT NOTICE. IT IS CONFIDENTIAL AND A PROPERTY OF Amphenol LTW. DISCLOSURE TO THIRD PARTY HAS TO BE AUTHORIZED BY Amphenol LTW.

REV.	ECN NO.	DATE	SIGN	DESCRIPTION
A	Initial Released	2020/11/25	Ruru	Old Item No. CX-04BCM32-7001

☉ Laser Mark:  
 YYYY = Year  
 WW = Week

Cable Joiner Housing Part Number  
 FC-001BNGY-700X



- \* FC-001BNGY-700X
- UL 6703A & TUV 2pfg 1915
- \* Butt Terminals
- UL 486A/B

- Note:
- \* Waterproof Rate: IP67, Mated
  - \* Connector: Thermoplastic, Black
  - \* Butt Pin: Copper alloy
  - \* Gasket: Rubber, Gray
  - \* Disassembly-Using the Unlock tool.
  - \* Operating Temperature : -40~+105°C
  - \* Withstanding Voltage : 6KV
  - \* Pollution Degree : III
  - \* Cable OD Range: 16mm~12mm
  - \* Wire Range: 10#~12#(4mm<sup>2</sup>~6mm<sup>2</sup>)
  - \* Avoid oil and gasoline
  - \* Recommended sealing Nut torque
  - Minimum: 25Kgf-cm

UNIT:mm			TITLE	FICX, 4, 1, Field Installable Crimp, Gray			
TOLERANCE	± 0.5 mm		SCALE	4:5	SIZE	A4	
REV.	A	WC-REV.	B.4	SHEET	1	OF	1
			☉: Inspection item				

**Amphenol LTW**  
 安費諾亮泰企業股份有限公司

ITEM NO	FC-041BCGY-7001	DRAWN BY	Ruru	DATE	2020-11-25
DWG NO	FC-041BCGY-7001	CHECKED BY	Rita	DATE	2020-11-25
CUSTOMER	ALTW	APPROVED BY	Max	DATE	2020-11-25