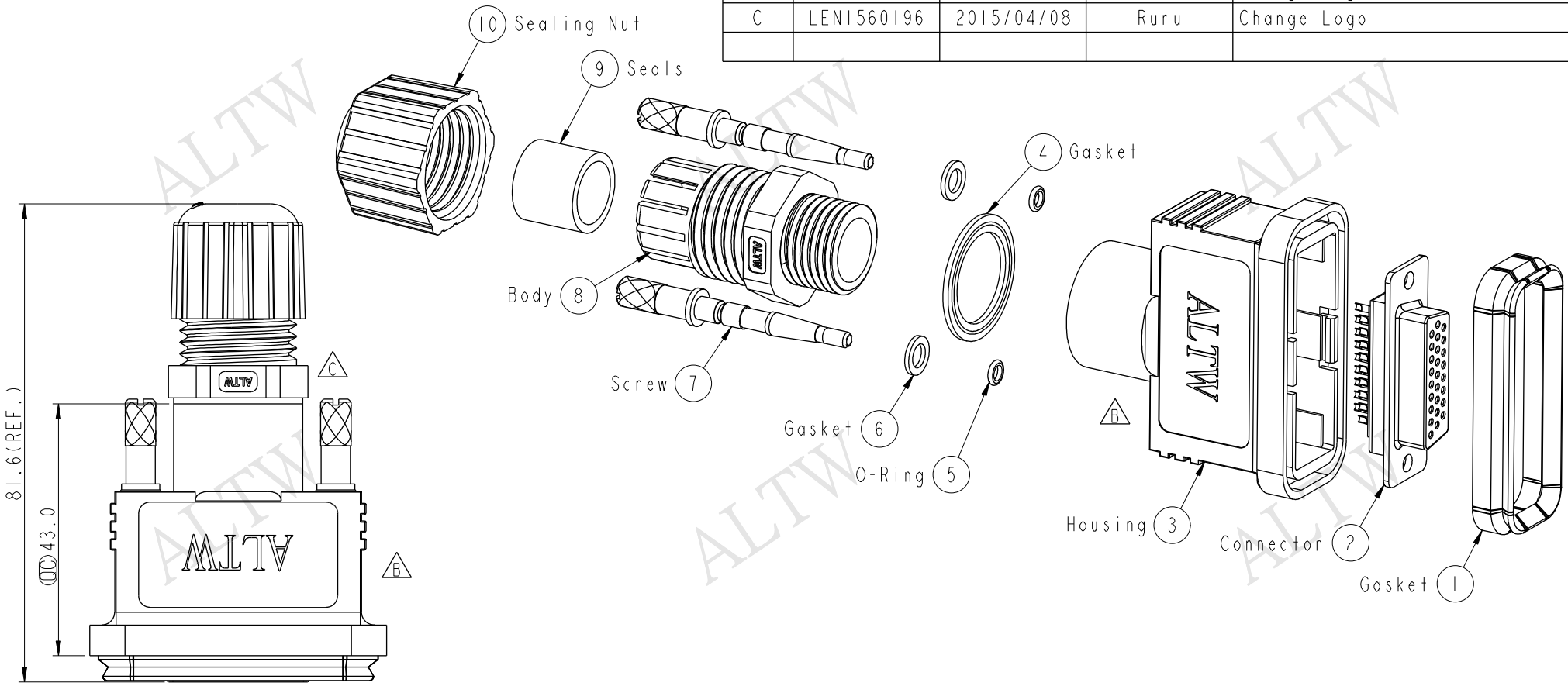


REV.	ECN NO.	DATE	SIGN	DESCRIPTION
B	LEN1520153	2015/01/27	Ruru	Change Logo
C	LEN1560196	2015/04/08	Ruru	Change Logo



ALTW
CONFIDENTIAL
2015-04-08
R&D DEPT.

ALTW
DCC. DEPT.
CONFIDENTIAL
2015.06.17
ISSUED

- Notes:
- * \varnothing Important Dimension To Check
 - * Waterproof Rate: IP67
 - * Housing: ABS 94V-0, Black
 - * Connector: HD-SUB 26Pin Female
 - * Seals for Cable OD: \varnothing 6.0mm- \varnothing 10.0mm
 - * One Set Unassembled in One PE Bag

UNIT: mm TOLERANCE .X ±0.25 .XX ±0.1 .XXX ±0.05 ANGLES ±1°	TITLE HD-SUB Conn. Assy Screw HD26Pin F Conn. F Pin		Amphenol LTW 安費諾亮泰企業股份有限公司		ITEM NO HDB-26BFFA-SL7001	DRAWN BY Ruru	DATE 2015-04-08	
	SCALE 1:1	SIZE A4	SHEET 1 OF 1	DWG NO HDB-26BFFA-SL7001	CHECKED BY Rita	DATE 2015-04-08	APPROVED BY Lion	DATE 2015-04-08
	REV. C	WC-REV. A.3	QC: Inspection item	CUSTOMER ALTW	APPROVED BY Lion	DATE 2015-04-08	DATE 2015-04-08	DATE 2015-04-08

THIS DOCUMENT IS SUBJECT TO CHANGE WITHOUT NOTICE. IT IS CONFIDENTIAL AND A PROPERTY OF Amphenol LTW. DISCLOSURE TO THIRD PARTY HAS TO BE AUTHORIZED BY Amphenol LTW.