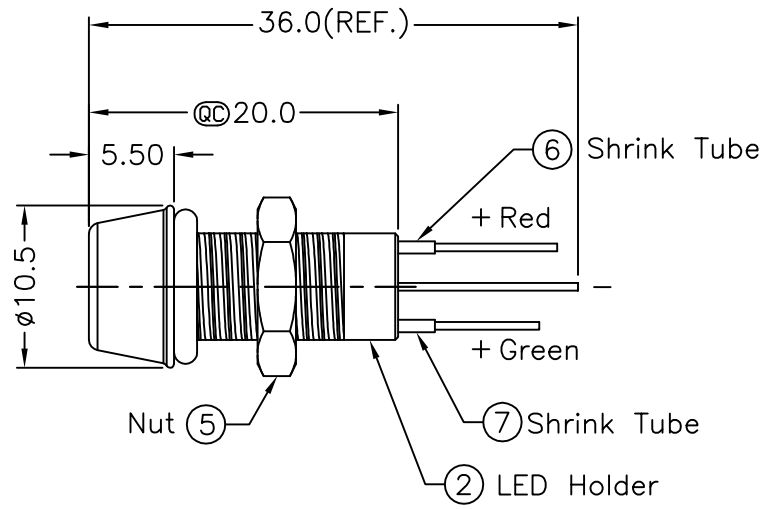
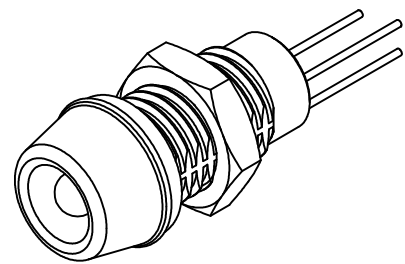
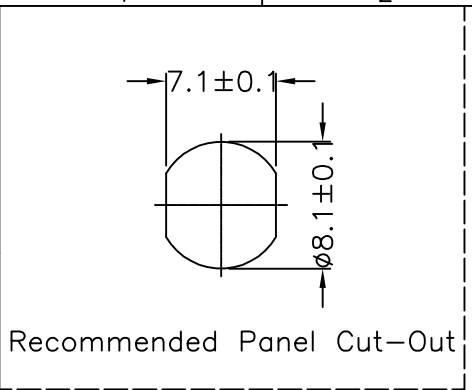
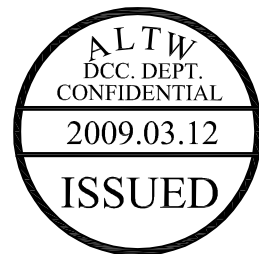
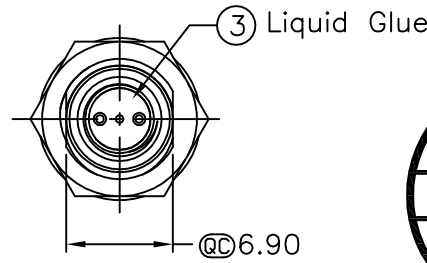
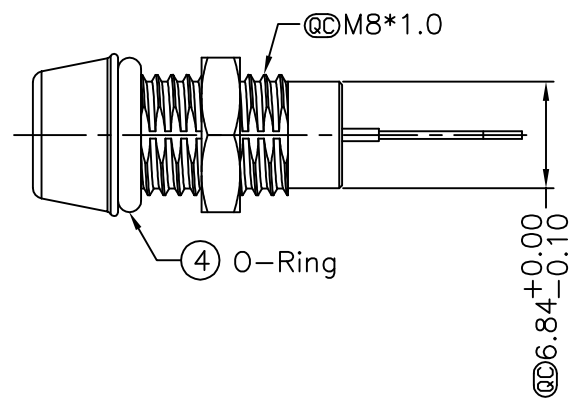
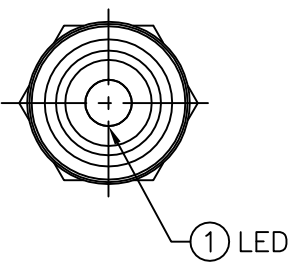


5	6	7	8
REV. A	ECN NO. Initial Release	DATE 2008/05/06	SIGN Rex
B	LEN-930466	2009/03/04	ZhaoRongFu
			DESCRIPTION Rev.01 Change To A
			Add Waterproof Rate

THIS DOCUMENT IS SUBJECT TO CHANGE WITHOUT NOTICE. IT IS CONFIDENTIAL AND A PROPERTY OF AMPHENOL LTW. DISCLOSURE TO THIRD PARTY HAS TO BE AUTHORIZED BY AMPHENOL LTW.



- Notes:
- \* @C Important Dimension To Check
  - \* Waterproof Rate: IP67
  - \* LED Holder: Copper Alloy, Nickel Plating
  - \* LED Spec:
    - ø3mm, Super Bright, Red/Green, Bi-Color LED
    - Lens Color: Water Clear
    - Forward Voltage: Red Typ. 2.05V  
Green Typ. 3.4V
    - Forward Current: Red Typ. 35mA  
Green Typ. 20mA
    - Luminous Intensity: Red Typ. 1000(Mcd)  
Green Typ. 2000(Mcd)
    - Reverse Voltage: DC 5V
    - Operating Temperature: -30~+80°C
  - \* O-Ring: Silicone, Gray
  - \* Screw Nut: Copper Alloy, Nickel Plating
  - \* For Panel Thickness 6.5 max.



UNIT:mm		TITLE Waterproof Led (ø3mm) Red/Green,Solder Type	<b>Amphenol LTW</b> 安費諾亮泰企業股份有限公司		ITEM NO L08-01AAAS-MR7001	DRAWN BY Zhao Rong Fu	DATE 2009/03/04
TOLERANCE .X ±0.25 .XX ±0.1 .XXX ±0.05 ANGLES ±1'		SCALE Free	SHEET 1 OF 1		DWG NO L08-01AAAS-MR7001	CHECKED BY Prune	DATE 2009/03/05
		REV. B	SIZE A4	@C :Inspection Item	CUSTOMER ALTW	APPROVED BY LUKE	DATE 2009/03/05