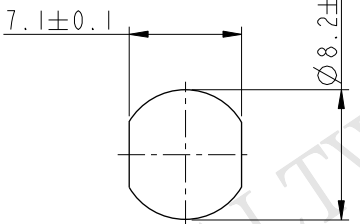
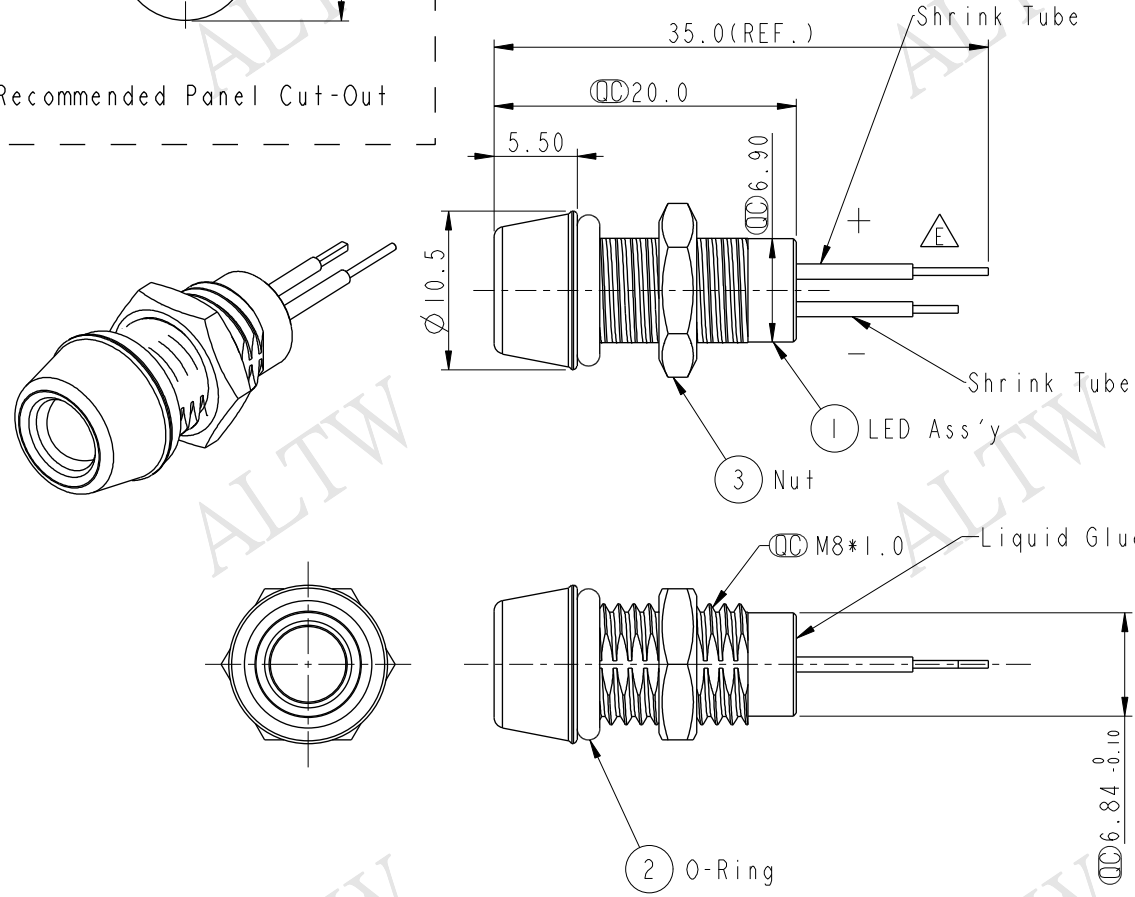


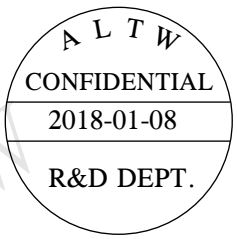
REV.	ECN NO.	DATE	SIGN	DESCRIPTION
C	LEN-8B0711	2008/11/24	TOMMY CHANGE	THE NOTE
D	LEN-930476	2009/03/04	ZhaoRongFu	Add Waterproof Rate
E	LEN1810174	2018/01/08	Mark	Change Note & Shrink Tube



Recommended Panel Cut-Out



- Notes:
- * (QC) Important Dimension To Check
 - * Waterproof Rate: IP67
 - * LED Spec.
 - Ø5 mm, Red
 - Lens Color: Water Clear
 - Viewing Angle: 30°
 - Absolute Maximum Rating (@25°C);
 - * Power Dissipation: 100mW
 - * Forward Current (IF): 30mA
 - * Reverse Voltage (VR): 5V
 - Forward Voltage (VF): typ. 2.2V (@IF=20mA, 25°C)
 - Luminous Intensity (IV): typ. 5000mcd (@IF=20mA, 25°C)
 - * Internal Current Limiting Resistor: 91Ω
 - * Recommended Operating Voltage: DC 4V
 - * LED Holder: Copper Alloy, Nickel Plating
 - * O-Ring: EPDM, Black
 - * Screw Nut: Copper Alloy, Nickel Plating
 - * Operating Temperature: -40~+80°C
 - * Panel Thickness: 6.5mm max.



UNIT: mm		
TOLERANCE	.X ±0.25	
	.XX ±0.1	
	.XXX ±0.05	
ANGLES	±1°	

TITLE Waterproof Led (Ø5mm) Red, Solder Type			
SCALE 2:1	SIZE A4	SHEET 1 OF 2	
REV. E	WC-REV. A.2	(QC): Inspection item	

Amphenol LTW
安費諾亮泰企業股份有限公司

ITEM NO. L08-01RBAS-MR7001	DRAWN BY Mark	DATE 2018/01/08
DWG NO. L08-01RBAS-MR7001	CHECKED BY Neo	DATE 2018/01/08
CUSTOMER ALTW	APPROVED BY Max	DATE 2018/01/08

THIS DOCUMENT IS SUBJECT TO CHANGE WITHOUT NOTICE. IT IS CONFIDENTIAL AND A PROPERTY OF Amphenol LTW. DISCLOSURE TO THIRD PARTY HAS TO BE AUTHORIZED BY Amphenol LTW.