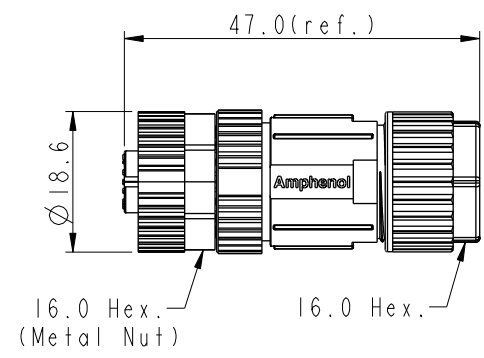
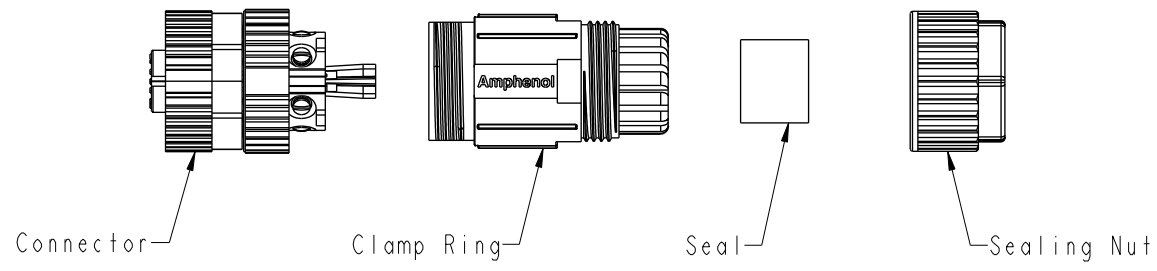


THIS DOCUMENT IS SUBJECT TO CHANGE WITHOUT NOTICE. IT IS CONFIDENTIAL AND A PROPERTY OF AMPHENOL LTW. DISCLOSURE TO THIRD PARTY HAS TO BE AUTHORIZED BY AMPHENOL LTW.

REV.	ECN NO.	DATE	SIGN	DESCRIPTION
B	LEN1790108-11	2017/08/31	Frank Deng	Update Note
C	C210561	2021/04/09	Vicky	$\triangle C$ X4

$\triangle C$
M12A-XXBFFB-SL7001

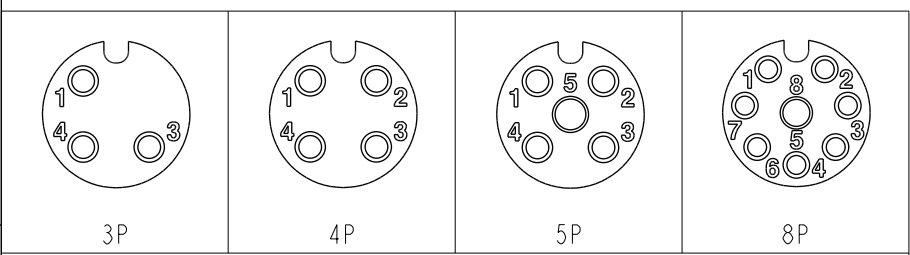
XX: No. Of Pin



$\triangle B$ $\triangle C$

Note:

- * RoHS Compliant
- * \odot Important Dimension
- * Waterproof rate: IPX7, mated
- * Connector
- Housing: Thermoplastic, Black
- Pin: Copper alloy, Gold plated
- Extension Nut: Thermoplastic, Black
- Nut: Metal
- O-Ring: Rubber, Gray
- * Clamp Ring: Thermoplastic, Black
- * Sealing Nut: Thermoplastic, Black
- * Seal: Rubber, Gray, OD: $\phi 4.0\text{mm} \sim \phi 8.0\text{mm}$
- * One set unassembled in one pe bag



Pin Assignments Front View

UNIT: mm	\odot	$\triangle C$	TITLE N SEN, M12 A, SCREW CABLE W/O SR, F, F, FI SCREW IN
TOLERANCE .X ± 0.25 .XX ± 0.1 .XXX ± 0.05 ANGLES $\pm 1^\circ$	$\triangle C$	SCALE 1:1	SIZE A4
		REV. C	WC-REV. A.4
			SHEET 1 OF 1
			\odot : Inspection item

Amphenol LTW
安費諾亮泰企業股份有限公司

ITEM NO.	DRAWN BY Frank Deng	DATE 2017-08-31
DWG NO. M12A-XXBFFB-SL7001	CHECKED BY Fisher Wang	DATE 2017-08-31
CUSTOMER ALTW	APPROVED BY Kevin Hu	DATE 2017-08-31