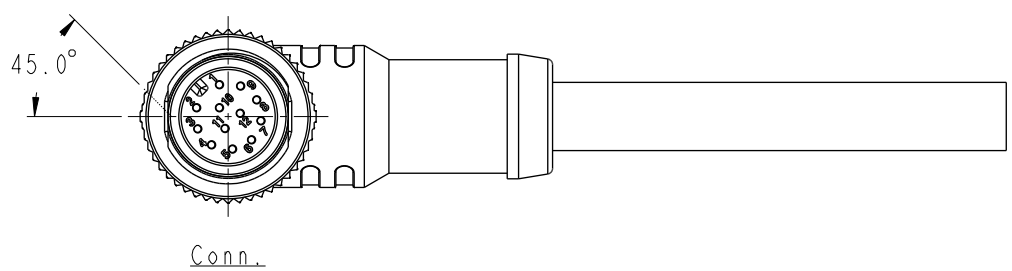
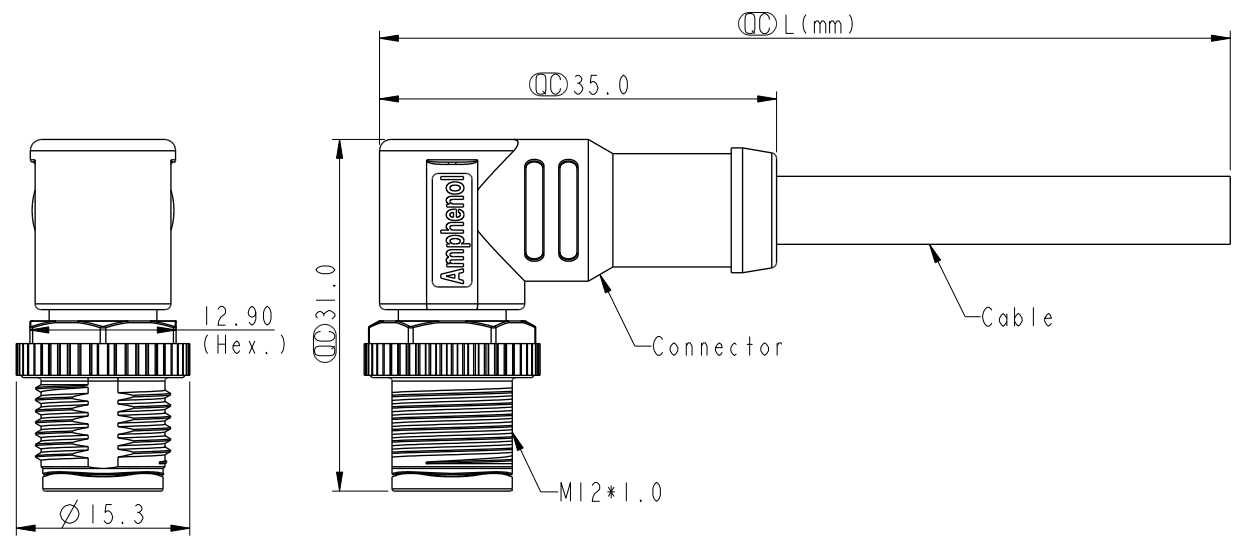


THIS DOCUMENT IS SUBJECT TO CHANGE WITHOUT NOTICE. IT IS CONFIDENTIAL AND A PROPERTY OF Amphenol LTW. DISCLOSURE TO THIRD PARTY HAS TO BE AUTHORIZED BY Amphenol LTW.

REV.	ECN NO.	DATE	SIGN	DESCRIPTION
E	C201613	2020/10/21	Vicky	$\triangle E$ X4
F	C210020	2021/01/07	Vicky	$\triangle F$ X1
G	C210221	2021/03/18	Vicky	$\triangle G$ X4



$\triangle E \triangle G$ Note:

- * RoHS Compliant
- * \varnothing Important dimension
- * $\triangle C$ Waterproof rate: IPX8, mated 1m/24h
IPX9K, mated

- * Connector
Housing: Thermoplastic, Black
Pin: Copper alloy, Gold plated
- * $\triangle F$ Nut: Metal
Outer mold: Thermoplastic, Black
- * Cable: UL2517, PVC Jacket, Black
- * Cable length tolerance: 1M: +50/-0 mm

1M < L ≤ 3M	+100/-0 mm
3M < L ≤ 5M	+150/-0 mm
5M < L ≤ 10M	±100 mm
10M < L ≤ 20M	±200 mm
20M < L ≤ 30M	±300 mm
30M < L ≤ 99M	±500 mm

UNIT: mm	
TOLERANCE	$\pm 0.5\text{mm}$

TITLE N SEN, M12 A, SCREW CABLE W/O SR, M, M, MOLDING			$\triangle G$
SCALE 3:2	SIZE A4	SHEET 1 OF 2	
REV. G	WC-REV. A.1	\varnothing : Inspection item	

Amphenol LTW
安費諾亮泰企業股份有限公司

ITEM NO.	DRAWN BY Lingpeng	DATE 2017-04-06
DWG NO. $\triangle E$ M12A-XXBMMM-SR8DXX	CHECKED BY Ma Fei	DATE 2017-04-06
CUSTOMER ALTW	APPROVED BY Jerry	DATE 2017-04-06

