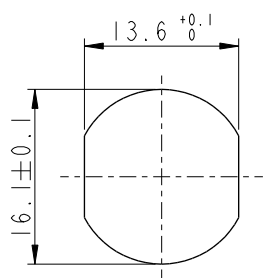


THIS DOCUMENT IS SUBJECT TO CHANGE WITHOUT NOTICE. IT IS CONFIDENTIAL AND A PROPERTY OF Amphenol LTW. DISCLOSURE TO THIRD PARTY HAS TO BE AUTHORIZED BY Amphenol LTW.

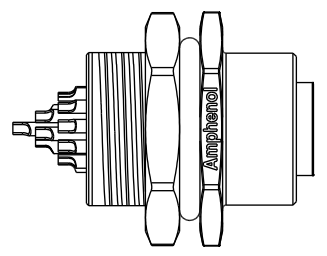
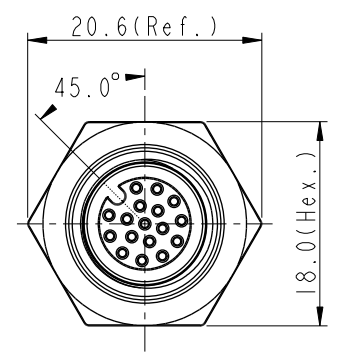
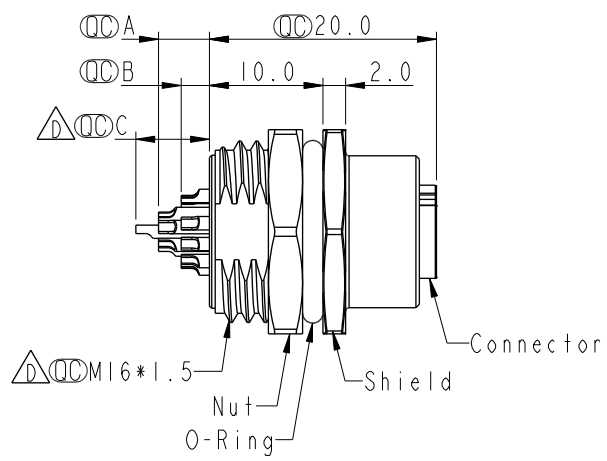
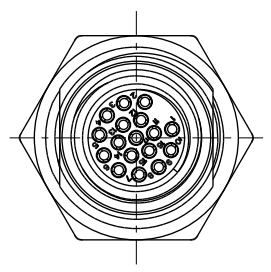
REV.	ECN NO.	DATE	SIGN	DESCRIPTION
C	LEN1680919-930	2016/08/05	Yulong_wang	Add 6Pin & IP69K
D	C201578	2020/10/21	Ruru	$\triangle D$ X8
E	C210309	2021/02/24	Ruru	$\triangle E$ X2



$\triangle C$ $\triangle D$
M12A-XXPFFS-SH8002

XX: No. Of Pin

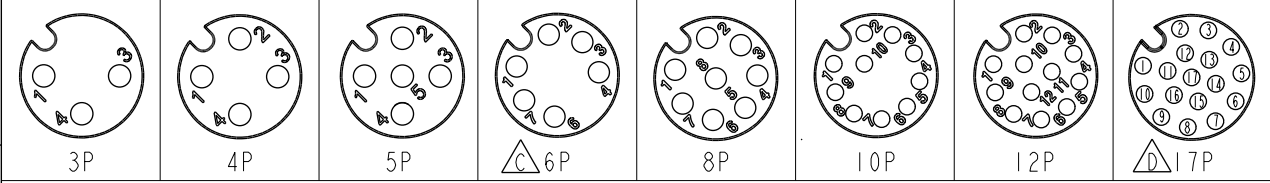
Recommended
Panel Cut-Out



- $\triangle D$ $\triangle E$ Note:
- * RoHS Compliant
 - * \odot Important dimension
 - * $\triangle C$ Waterproof rate: IPX8, unmated 1m/24h
IPX9K, unmated
 - * Connector
 - * Housing: Thermoplastic, Black
 - * Pin: Copper alloy, Gold plated
 - * O-Ring: Rubber, Green
 - * Shield: Metal
 - * Nut: Metal
 - * O-Ring: Rubber, Black
 - * For panel thickness max: 4.5mm
 - * Nut is packed separately in pe bag



M12A-03PFFS-SH8002		2.5	
M12A-04PFFS-SH8002		2.5	
M12A-05PFFS-SH8002		2.5	
M12A-06PFFS-SH8002		2.5	
M12A-08PFFS-SH8002		2.5	
M12A-10PFFS-SH8002	4.5	2.5	
M12A-12PFFS-SH8002	4.5	2.5	
M12A-17PFFS-SH8002	4.5	2.5	6.5
Item No.	A	B	C
	Pin伸出長度		



Pin Assignment Front View

UNIT: mm			TITLE N SEN, M12 A, SCREW RECEPTACLE, F, F, SOLDER $\triangle E$
TOLERANCE	.X ±0.25	.XX ±0.1	SCALE 3:2
.XXX ±0.05	ANGLES ±1°	REV. E	SIZE A4
		WC-REV. A.5	SHEET 1 OF 1
		\odot : Inspection item	

Amphenol LTW
安費諾亮泰企業股份有限公司

ITEM NO.	DRAWN BY	DATE
	Yulong_wang	2016-08-05
DWG NO.	CHECKED BY	DATE
\triangle M12A-XXPFFS-SH8002	Jinhai	2016-08-05
CUSTOMER	APPROVED BY	DATE
ALTW	Jerry	2016-08-05