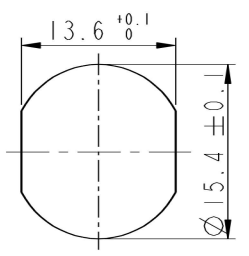


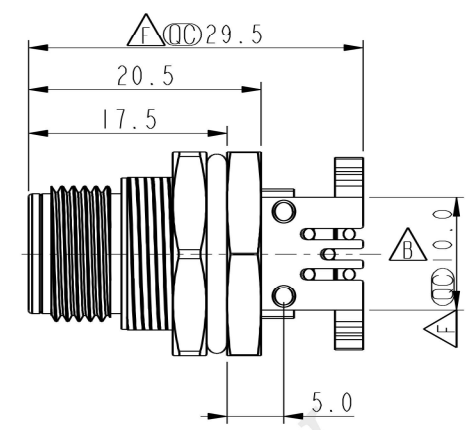
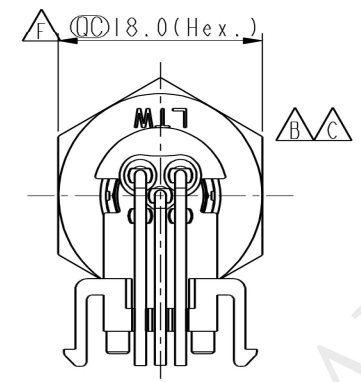
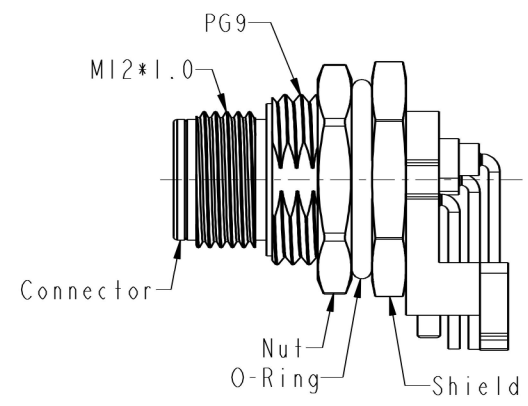
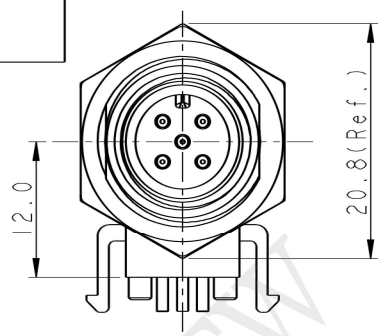
THIS DOCUMENT IS SUBJECT TO CHANGE WITHOUT NOTICE. IT IS CONFIDENTIAL AND A PROPERTY OF AMPHENOL LTW. DISCLOSURE TO THIRD PARTY HAS TO BE AUTHORIZED BY AMPHENOL LTW.

REV.	ECN NO.	DATE	SIGN	DESCRIPTION
E	C210023	2021/01/14	Vicky	△E X2
F	C210309	2021/2/24	Ruru	△F X6
G	C221290	2022/08/12	Arvin Chan	△G X2

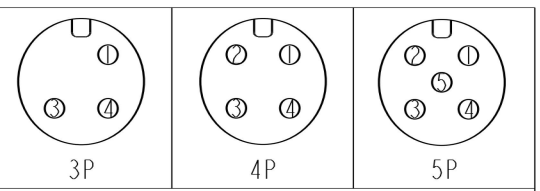
For 3Pins to 5Pins  
 △D  
 M12A-XXPMMR-SF8001  
 XX: No. Of Pin



Recommended Panel Cut-Out



- △D △E Note:
- \* RoHS Compliant
  - \* (⌀) Important dimension
  - \* Waterproof rate: IPX8, unmated 1m/24h
  - \* Connector
  - Housing: Thermoplastic, Black
  - Pin: Copper alloy, Gold plated
  - △F \* Shield: Metal
  - △E \* Nut: Metal
  - \* O-Ring: Rubber, Black
  - \* For panel thickness max: 4.5mm
  - \* For pcb thickness max: 1.6mm
  - \* Nut is packed separately in pe bag



Pin Assignment Front View

UNIT: mm		
TOLERANCE	.X ±0.25	
	.XX ±0.1	
	.XXX ±0.05	
ANGLES	±1°	

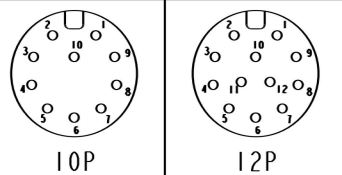
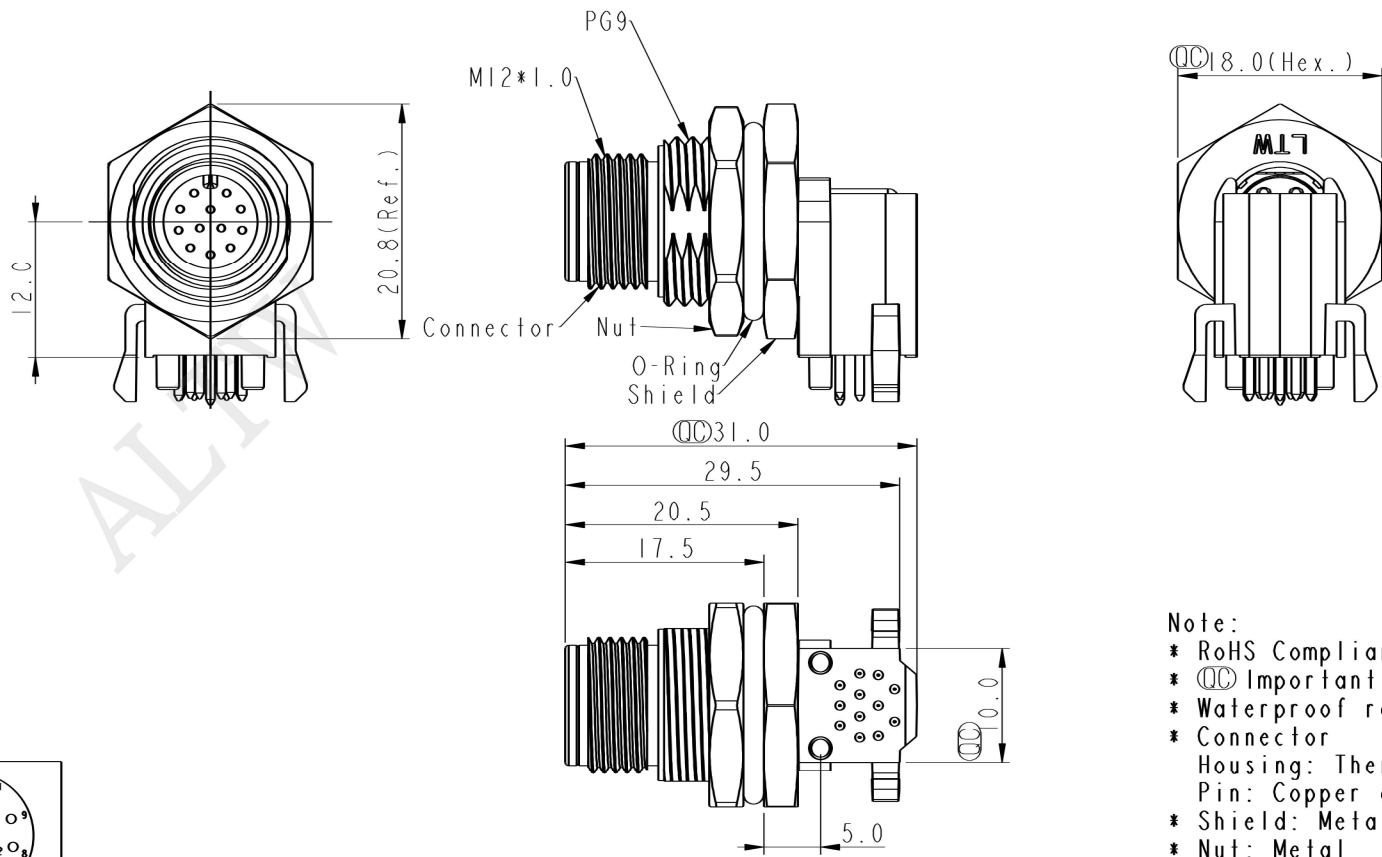
TITLE N SEN, M12 A, SCREW RECEPTACLE, M, M, PCB R △F		
SCALE 3:2	SIZE A4	SHEET 1 OF 3
REV. G	WC-REV. .0	(⌀): Inspection item

**Amphenol LTW**  
 安費諾亮泰企業股份有限公司

ITEM NO	DRAWN BY Nan_Su	DATE 2019-08-14
DWG NO △D M12A-XXPMMR-SF8001	CHECKED BY Feng_Li	DATE 2019-08-14
CUSTOMER ALTW	APPROVED BY Jerry	DATE 2019-08-14

G

For 10Pins and 12Pins



Pin Assignment Front View

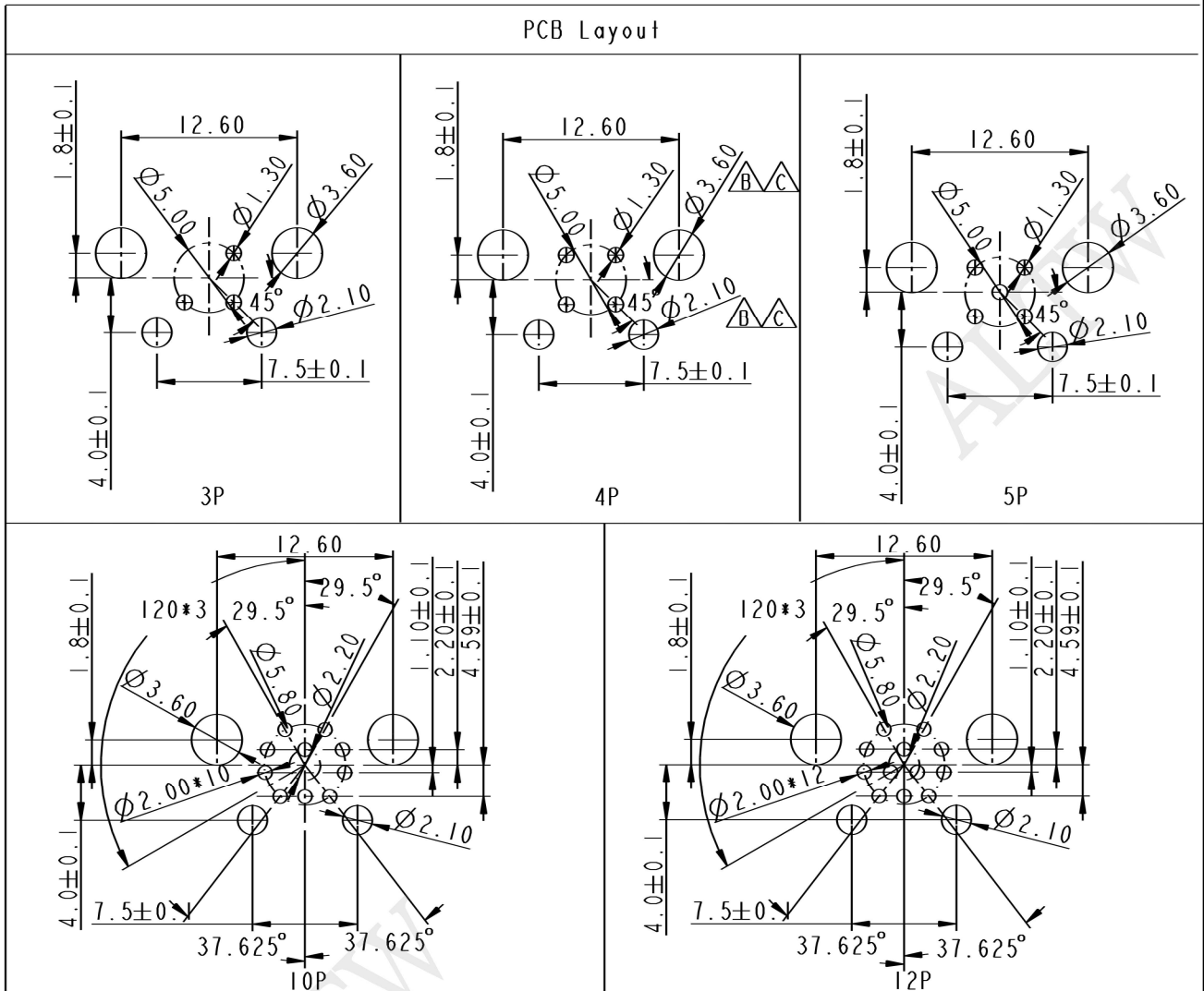
- Note:
- \* RoHS Compliant
  - \*  $\varnothing$  Important dimension
  - \* Waterproof rate: IPX8, unmated 1m/24h
  - \* Connector
    - Housing: Thermoplastic, Black
    - Pin: Copper alloy, Gold plated
  - \* Shield: Metal
  - \* Nut: Metal
  - \* O-Ring: Rubber, Black
  - \* For panel thickness max: 4.5mm
  - \* For pcb thickness max: 0.8~2.4mm
  - \* Nut is packed separately in pe bag

UNIT: mm	TITLE N SEN, M12 A, SCREW RECEPTACLE, M, M, PCB R			Amphenol LTW 安費諾亮泰企業股份有限公司	ITEM NO	DRAWN BY Nan_Su	DATE 2019-08-14
	TOLERANCE .X ±0.25 .XX ±0.1 .XXX ±0.05 ANGLES ±1°	SCALE 3:2	SIZE A4		SHEET 2 OF 3	DWG NO M12A-XXPMMR-SF8001	CHECKED BY Feng_Li
	REV. G	WC-REV. .0	$\varnothing$ : Inspection item		CUSTOMER ALTW	APPROVED BY Jerry	DATE 2019-08-14

THIS DOCUMENT IS SUBJECT TO CHANGE WITHOUT NOTICE. IT IS CONFIDENTIAL AND A PROPERTY OF AMPHENOL LTW. DISCLOSURE TO THIRD PARTY HAS TO BE AUTHORIZED BY AMPHENOL LTW.

THIS DOCUMENT IS SUBJECT TO CHANGE WITHOUT NOTICE. IT IS CONFIDENTIAL AND A PROPERTY OF Amphenol LTW. DISCLOSURE TO THIRD PARTY HAS TO BE AUTHORIZED BY Amphenol LTW.

PCB Layout



UNIT: mm		
TOLERANCE	.X	±0.25
	.XX	±0.1
	.XXX	±0.05
ANGLES		±1°

TITLE N SEN, M12 A, SCREW RECEPTACLE, M, M, PCB R		
SCALE	3:2	SHEET 3 OF 3
REV.	G	WC-REV. .0
		: Inspection item

**Amphenol LTW**  
安費諾亮泰企業股份有限公司

ITEM NO	
DWG NO	M12A-XXPMMR-SF8001
CUSTOMER	ALTW

DRAWN BY	Nan_Su
CHECKED BY	Feng_Li
APPROVED BY	Jerry

DATE	2019-08-14
DATE	2019-08-14
DATE	2019-08-14