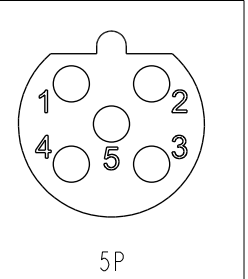
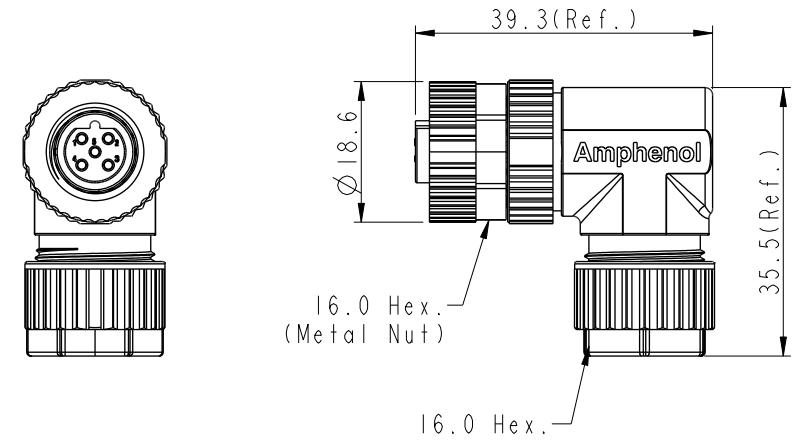
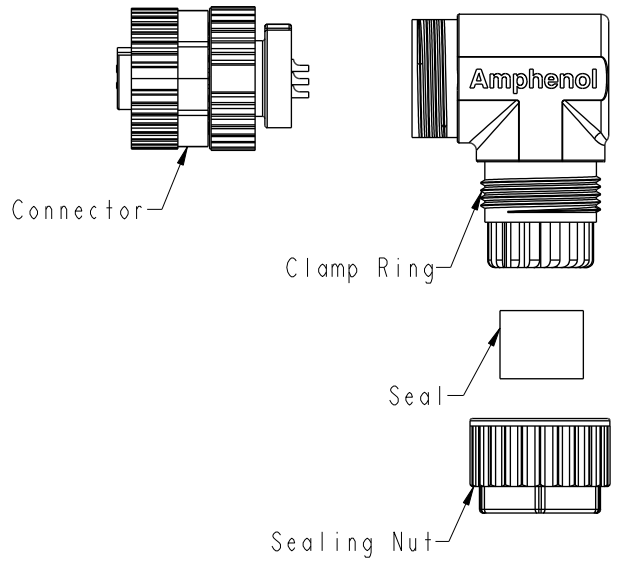


THIS DOCUMENT IS SUBJECT TO CHANGE WITHOUT NOTICE. IT IS CONFIDENTIAL AND A PROPERTY OF Amphenol LTW. DISCLOSURE TO THIRD PARTY HAS TO BE AUTHORIZED BY Amphenol LTW.

REV.	ECN NO.	DATE	SIGN	DESCRIPTION
B	C201453	2020/10/07	Ruru	$\triangle B$ X2
C	C210561	2021/04/12	Vicky	$\triangle C$ X2

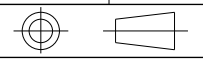


$\triangle B$
M12B-XXBFFA-SR7001
XX: No. Of Pin

- $\triangle C$
Note:
- * RoHS Compliant
 - * CC Important Dimension
 - * Waterproof rate: IPX7, mated
 - * Connector
 - Housing: Thermoplastic, Black
 - Pin: Copper alloy, Gold plated
 - Extension Nut: Thermoplastic, Black
 - Nut: Metal
 - O-Ring: Rubber, Gray
 - * Clamp Ring: Thermoplastic, Black
 - * Sealing Nut: Thermoplastic, Black
 - * Seal: Rubber, Gray, OD: $\varnothing 4.0\text{mm} \sim \varnothing 7.0\text{mm}$
 - * One set unassembled in one pe bag

UNIT:mm

TOLERANCE
 .X ± 0.25
 .XX ± 0.1
 .XXX ± 0.05
 ANGLES $\pm 1^\circ$



TITLE N SEN, M12 B, SCREW CABLE W/O SR, F, F, FI SOLDER $\triangle C$			
SCALE 1:1	SIZE A4	SHEET 1 OF 1	
REV. C	WC-REV. A.5	CC : Inspection item	

Amphenol LTW
安費諾亮泰企業股份有限公司

ITEM NO	DRAWN BY JC Chen	DATE 2020-04-17
DWG NO $\triangle B$ M12B-XXBFFA-SR7001	CHECKED BY Li Feng	DATE 2020-04-17
CUSTOMER ALTW	APPROVED BY Jerry	DATE 2020-04-17