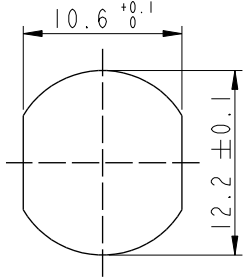


THIS DOCUMENT IS SUBJECT TO CHANGE WITHOUT NOTICE. IT IS CONFIDENTIAL AND A PROPERTY OF Amphenol LTW. DISCLOSURE TO THIRD PARTY HAS TO BE AUTHORIZED BY Amphenol LTW.

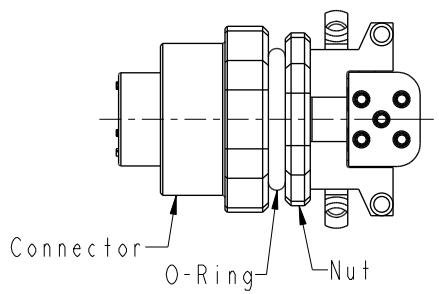
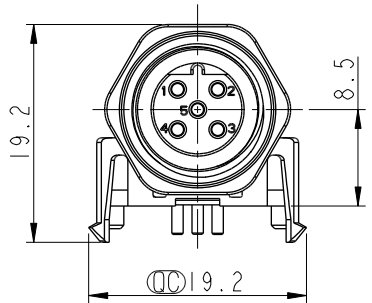
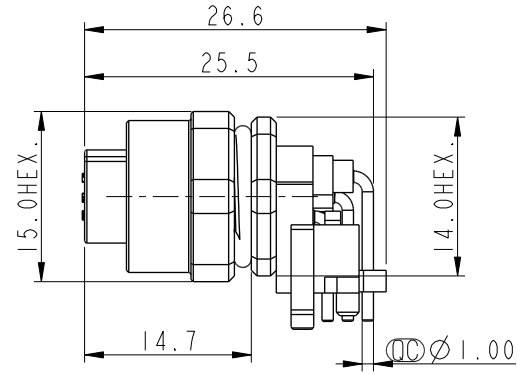
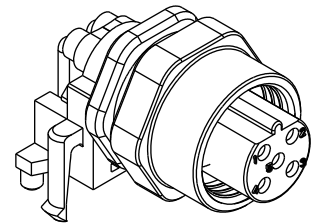
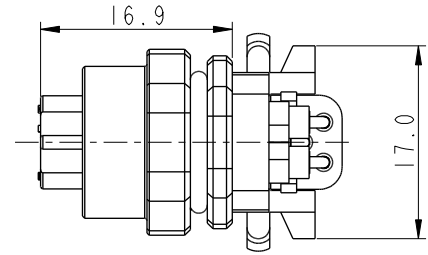
| REV. | ECN NO. | DATE | SIGN | DESCRIPTION |
|------|---------|------------|-----------|------------------|
| D | C210309 | 2021/02/26 | Ruru | $\triangle D$ XI |
| E | C211844 | 2021/12/03 | Vicky | $\triangle E$ XI |
| F | C220593 | 2022/04/12 | Jiahe Lin | $\triangle F$ XI |



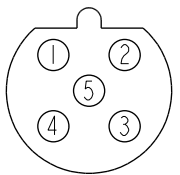
Recommended Panel Cut-Out

$\triangle C$
MI2B-XXPFFR-SF7003

XX: No. Of Pin

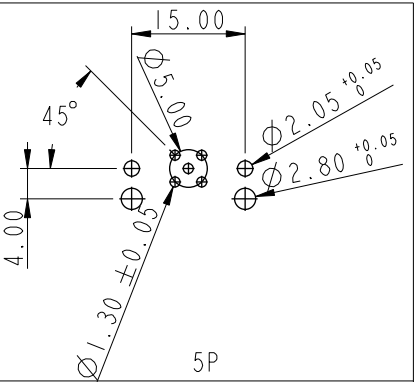


- Note: $\triangle C$ $\triangle D$
- * RoHS Compliant
 - * ⌀ Important dimension
 - * Waterproof rate: IPX7, mated
 - * Connector
 - Housing: Thermoplastic, Black
 - Pin: Copper alloy, Gold plated
 - $\triangle E$ O-Ring1: Rubber, Gray
 - O-Ring2: Rubber, Gray
 - Nut: Metal
 - * Nut: Metal
 - * O-Ring: Rubber, Gray
 - * For panel thickness max: 3.0mm
 - $\triangle B$ * For pcb thickness max: 1.6mm
 - $\triangle E$ * Connector nut is packed separately in pe bag



5P

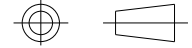
Pin Assignment Front View



5P

PCB Layout

UNIT:mm



| | | | |
|--|----------------|------------------------------|--|
| TITLE N SEN, MI2 B, SCREW RECEPTACLE, F, F, PCB R $\triangle C$ | | | |
| SCALE 3:2 | SIZE A4 | SHEET 1 OF 1 | |
| REV. F | WC-REV. A.1 | ⌀ : Inspection item | |

Amphenol LTW

安費諾亮泰企業股份有限公司

| | | |
|--|-------------------------|--------------------|
| ITEM NO | DRAWN BY Yulong_wang | DATE 2016-12-09 |
| DWG NO $\triangle C$ MI2B-XXPFFR-SF7003 | CHECKED BY Jinhai | DATE 2016-12-09 |
| CUSTOMER ALTW | APPROVED BY Jerry | DATE 2016-12-09 |