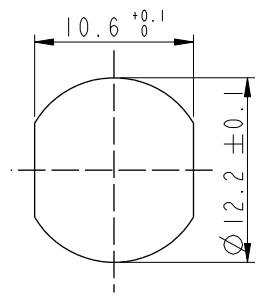


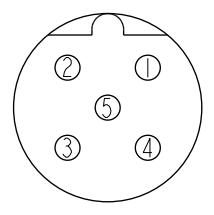
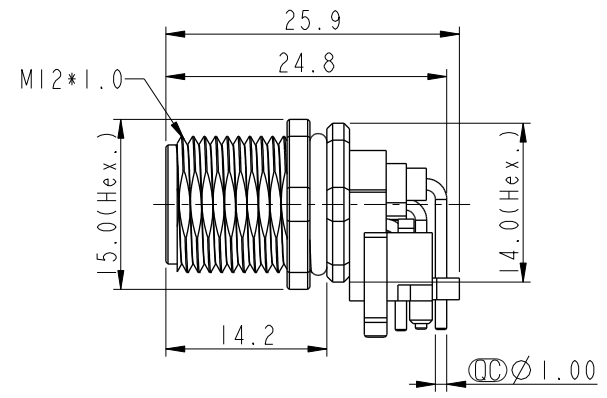
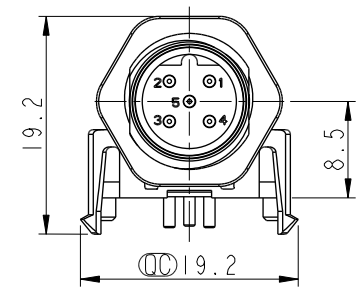
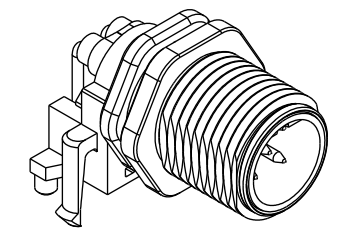
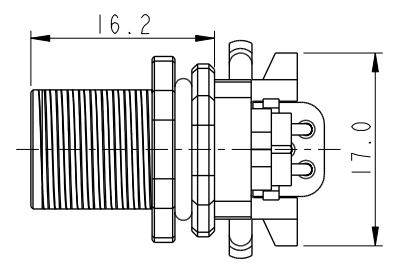
THIS DOCUMENT IS SUBJECT TO CHANGE WITHOUT NOTICE. IT IS CONFIDENTIAL AND A PROPERTY OF Amphenol LTW. DISCLOSURE TO THIRD PARTY HAS TO BE AUTHORIZED BY Amphenol LTW.

REV.	ECN NO.	DATE	SIGN	DESCRIPTION
C	C201473	2020/09/24	Vicky	△C X4
D	C210024	2021/01/12	Vicky	△D X2
E	C210309	2021/02/26	Ruru	△E X2



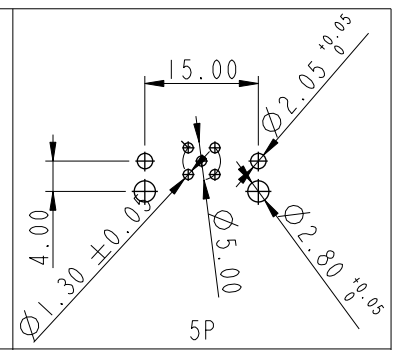
Recommended Panel Cut-Out

△C  
M12B-XXPMMR-SF7003  
XX: No. Of Pin



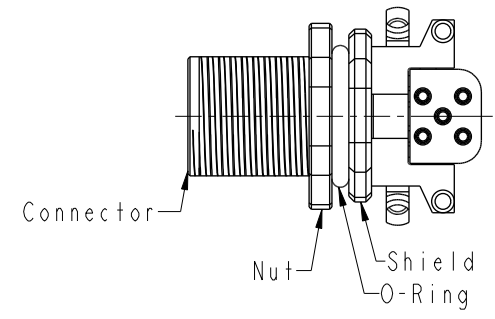
5P

Pin Assignment Front View



5P

PCB Layout



- Note: △C △E
- \* RoHS Compliant
  - \* ⌀ Important dimension
  - \* Waterproof rate: IPX7, mated
  - \* Connector
  - Housing: Thermoplastic, Black
  - Pin: Copper alloy, Gold plated
  - O-Ring: Rubber, Black
  - △D \* Shield: Metal
  - △D \* Nut: Metal
  - \* O-Ring: Rubber, Gray
  - \* For panel thickness max: 3.0mm
  - △B \* For pcb thickness max: 1.6mm
  - \* Nut is packed separately in pe bag

UNIT:mm		
TOLERANCE	.X ±0.25	
.XX ±0.1		
.XXX ±0.05		
ANGLES	±1°	

TITLE N SEN, M12 B, SCREW RECEPTACLE, M, M, PCB R △C △E		
SCALE 3:2	SIZE A4	SHEET 1 OF 1
REV. E	WC-REV. A.1	⌀ Inspection item

**Amphenol LTW**  
安費諾亮泰企業股份有限公司

ITEM NO	DRAWN BY	DATE
	Yulong_wang	2016-12-11
DWG NO △C M12B-XXPMMR-SF7003	CHECKED BY	DATE
	Jinhai	2016-12-11
CUSTOMER	APPROVED BY	DATE
ALTW	Jerry	2016-12-11

DATE	DATE	DATE
2016-12-11	2016-12-11	2016-12-11