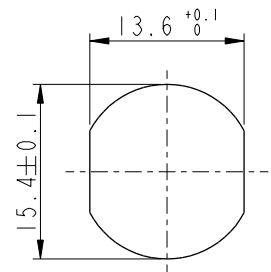
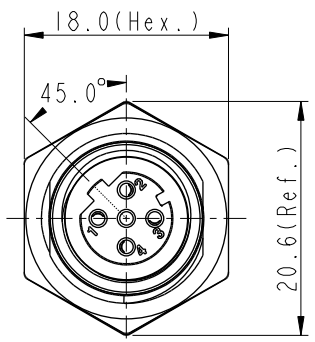
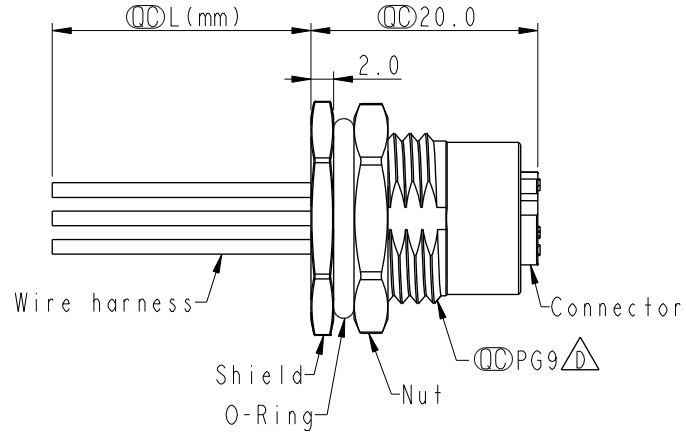
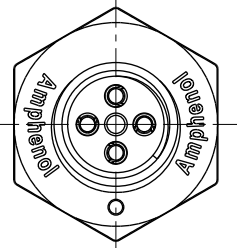


THIS DOCUMENT IS SUBJECT TO CHANGE WITHOUT NOTICE. IT IS CONFIDENTIAL AND A PROPERTY OF Amphenol LTW. DISCLOSURE TO THIRD PARTY HAS TO BE AUTHORIZED BY Amphenol LTW.

REV.	ECN NO.	DATE	SIGN	DESCRIPTION
C	C191643	2019/09/18	Vicky	Update Wire Tolerance
D	C201469	2020/09/25	Ruru	$\triangle D$ X5
E	C210593	2021/04/16	Ruru	$\triangle E$ X3



Recommended Panel Cut-Out



$\triangle C \triangle D \triangle E$
M12D-XXPFFC-SF8BXX

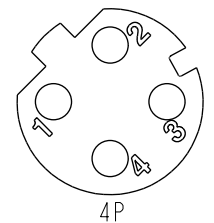
XX: No. Of Pin

- 10: 100mm
- 15: 150mm
- 20: 200mm
- 95: 950mm
- Cable Pitch Unit: 50mm
- A0: 1000mm
- A5: 1500mm
- Cable Pitch Unit: 100mm
- Wire Length(L): 150~1500mm

- Note: $\triangle C \triangle D \triangle E$
- * RoHS Compliant
 - * CC Important dimension
 - * Waterproof rate: IPX8, unmated 1m/24h
 - * Connector
 - Housing: Thermoplastic, Black
 - Pin: Copper alloy, Gold plated
 - O-Ring: Rubber, Green
 - * Shield: Metal
 - * Nut: Metal
 - * O-Ring: Rubber, Black
 - * Wire harness: UL1061, 22AWG
 - * For panel thickness max: 4.5mm
 - * O-Ring and nut are assembled on connectors
 - * Wire harness tolerance:
 - 100mm < L ≤ 300mm: ±15mm
 - 300mm < L ≤ 1000mm: ±20mm
 - 1000mm < L ≤ 1500mm: ±50mm

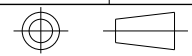
4	Black	黑
3	Blue	藍
2	White	白
1	Brown	棕

Pin # Wire
Pin Out



Pin Assignments Front View

UNIT:mm



TITLE			
N SEN, M12 D, SCREW RECEPTACLE, F, F, FI/PANEL CRIMP $\triangle E$			
SCALE	SIZE	SHEET	OF
2:1	A4	1	1
REV.	WC-REV.	CC : Inspection item	
E	A.5		

Amphenol LTW
安費諾亮泰企業股份有限公司

ITEM NO	DRAWN BY	DATE
	Vicky	2019-09-18
DWG NO	CHECKED BY	DATE
$\triangle D$ M12D-XXPFFC-SF8BXX	Rita	2019-09-18
CUSTOMER	APPROVED BY	DATE
ALTW	Max	2019-09-18