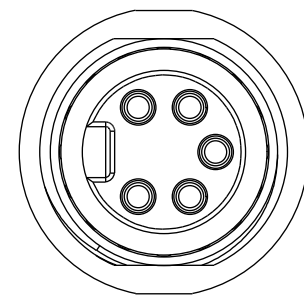
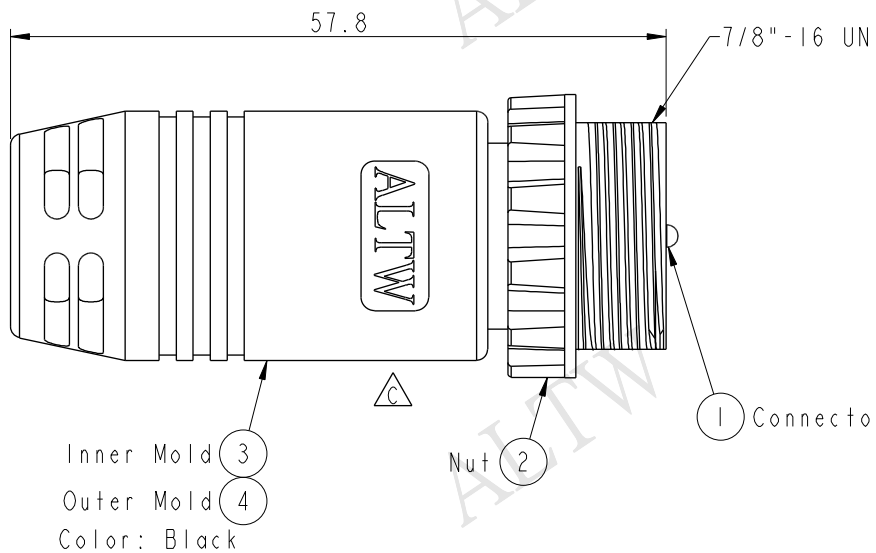
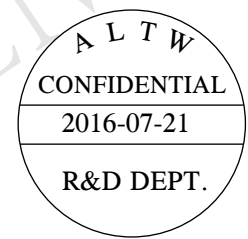


REV.	ECN NO.	DATE	SIGN	DESCRIPTION
B	LEN-	2008/06/16	Doreen	Change Note 5
C	LEN1670635	2016/07/21	Vicky	Update Logo



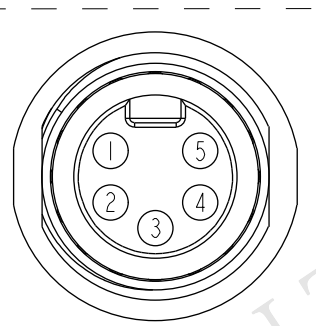
Conn.



Inner Mold (3)
 Outer Mold (4)
 Color: Black

Nut (2)

(1) Connector



Pin Assignments
Front View

Conn.	Function
5	Resistor
4	Resistor
3	NC
2	NC
1	NC

Note:

- * (C) Important Dimension.
- * Waterproof Rate: IP68
In 1 meter water within 24 hours
- * Connector: PU, Black
- * Nut: Zinc Alloy, Nickel Plated
- * Male Pin: Copper Alloy, Gold Plated
- * Resistor: 1/4W, 120Ω ±1%

(B) (5)

UNIT:mm TOLERANCE ±0.5 mm	TITLE NMEA Mini M Conn M Pin Resistor		Amphenol LTW 安費諾亮泰企業股份有限公司		ITEM NO MN-05AMMT-SL8001	DRAWN BY Vicky	DATE 2016-07-21
	SCALE 3:2	SIZE A4	SHEET 1	OF 1	DWG NO MN-05AMMT-SL8001	CHECKED BY Rita	DATE 2016-07-21
	REV. C	WC-REV. A.1	(C): Inspection item		CUSTOMER ALTW	APPROVED BY Max	DATE 2016-07-21

THIS DOCUMENT IS SUBJECT TO CHANGE WITHOUT NOTICE. IT IS CONFIDENTIAL AND A PROPERTY OF Amphenol LTW. DISCLOSURE TO THIRD PARTY HAS TO BE AUTHORIZED BY Amphenol LTW.