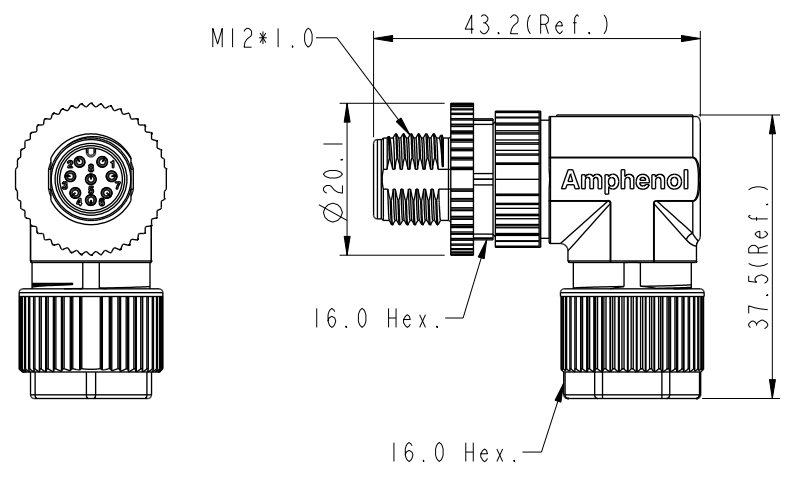
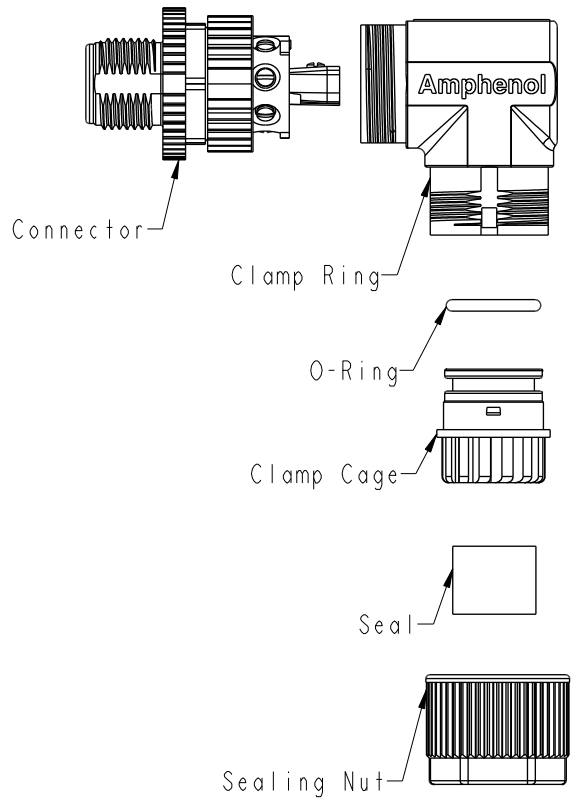


THIS DOCUMENT IS SUBJECT TO CHANGE WITHOUT NOTICE. IT IS CONFIDENTIAL AND A PROPERTY OF Amphenol LTW. DISCLOSURE TO THIRD PARTY HAS TO BE AUTHORIZED BY Amphenol LTW.

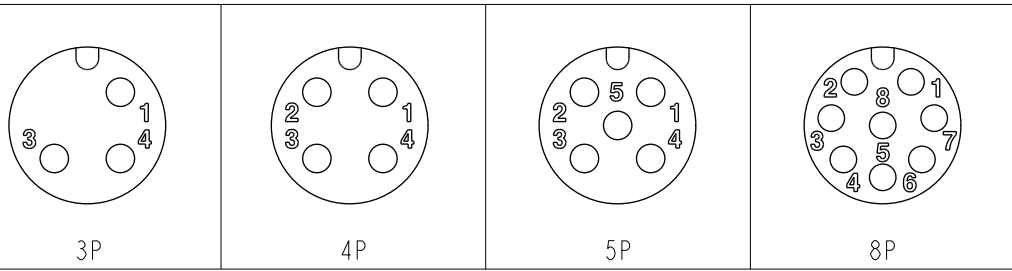
REV.	ECN NO.	DATE	SIGN	DESCRIPTION
B	C210561	2021/04/15	Vicky	$\triangle B$ X4



$\triangle B$   
MSAS-XXBMMB-SR7001

XX: No. Of Pin

- Note:
- \* RoHS Compliant
  - \*  $\text{\textcircled{O}}$  Important Dimension
  - \* Waterproof rate: IPX7, mated
  - \* Connector
    - Housing: Thermoplastic, Black
    - Pin: Copper alloy, Gold plated
    - Extension Nut: Metal
    - Nut: Metal
    - O-Ring: Rubber, Gray
  - \* Clamp Ring: Metal
  - \* O-Ring: Rubber, Gray
  - \* Clamp Cage: Thermoplastic, Black
  - \* Sealing Nut: Metal
  - \* Seal: Rubber, Gray, OD: $\phi$ 4.0mm~ $\phi$ 7.0mm
  - \* One set unassembled in one pe bag



Pin Assignments Front View

UNIT:mm	$\text{\textcircled{O}}$	$\text{\textcircled{O}}$	TITLE N SEN, M12 A -SHLD, SCREW CABLE W/O SR, M, M, FI SCREW IN $\triangle B$
TOLERANCE .X $\pm 0.25$ .XX $\pm 0.1$ .XXX $\pm 0.05$ ANGLES $\pm 1^\circ$	$\triangle B$	SCALE 1:1	SIZE A4
		REV. B	SHEET 1 OF 1
		WC-REV. A.3	$\text{\textcircled{O}}$ : Inspection item

**Amphenol LTW**  
安費諾亮泰企業股份有限公司

ITEM NO	DRAWN BY Mila	DATE 2015-09-30
DWG NO MSAS-XXBMMB-SR7001	CHECKED BY Cary	DATE 2015-09-30
CUSTOMER ALTW	APPROVED BY Jerry	DATE 2015-09-30