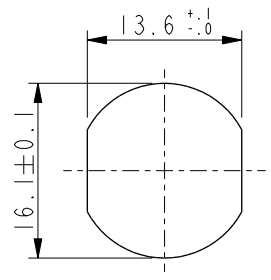
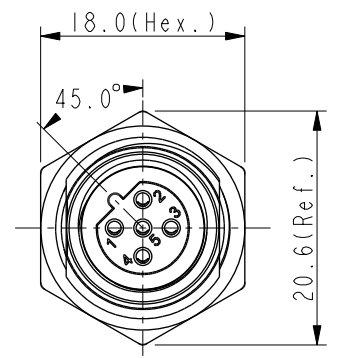
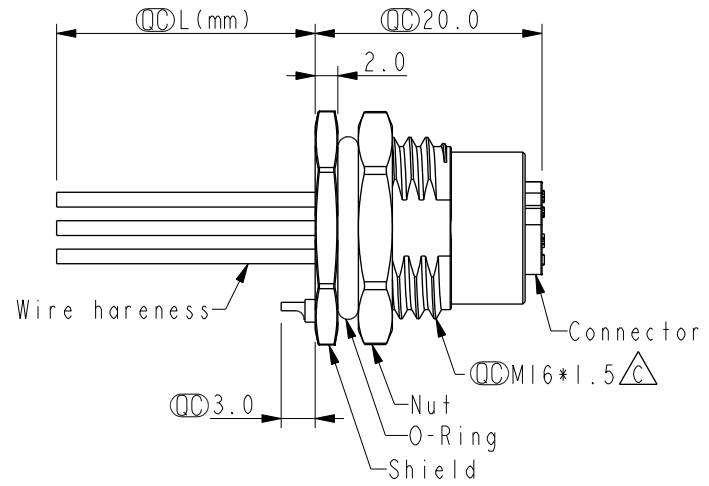
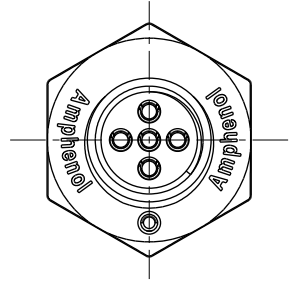


THIS DOCUMENT IS SUBJECT TO CHANGE WITHOUT NOTICE. IT IS CONFIDENTIAL AND A PROPERTY OF Amphenol LTW. DISCLOSURE TO THIRD PARTY HAS TO BE AUTHORIZED BY Amphenol LTW.

| REV. | ECN NO. | DATE | SIGN | DESCRIPTION |
|------|---------|------------|-------|-----------------------|
| B | C191682 | 2019/09/24 | Vicky | Update Wire Tolerance |
| C | C201470 | 2020/10/06 | Ruru | $\triangle C$ X5 |
| D | C210241 | 2021/04/14 | Ruru | $\triangle D$ X3 |



Recommended Panel Cut-Out



$\triangle B \triangle C \triangle D$
MSBS-XXPFFC-SF8CXX

XX: No. Of Pin

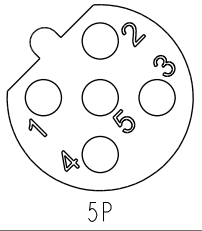
- 10: 100mm
- 15: 150mm
- 20: 200mm
- ↓
- 95: 950mm
- Cable Pitch Unit: 50mm

- A0: 1000mm
- ↓
- A5: 1500mm
- Cable Pitch Unit: 100mm
- Wire Length(L): 150~1500mm

- Note: $\triangle B \triangle C \triangle D$
- * RoHS Compliant
 - * ⌀ Important dimension
 - * Waterproof rate: IPX8, unmated 1m/24h
 - * Connector
 - Housing: Thermoplastic, Black
 - Pin: Copper alloy, Gold plated
 - O-Ring: Rubber, Green
 - * Shield: Metal
 - * Nut: Metal
 - * O-Ring: Rubber, Black
 - * Wire harness: UL1061, 22AWG
 - * For panel thickness max: 4.5mm
 - * O-Ring and nut are assembled on connectors
 - * Wire harness tolerance: 100mm: ±10mm
 - 100mm < L ≤ 300mm: ±15mm
 - 300mm < L ≤ 1000mm: ±20mm
 - 1000mm < L ≤ 1500mm: ±50mm

| | | |
|---|-------|---|
| 5 | Gray | 灰 |
| 4 | Black | 黑 |
| 3 | Blue | 藍 |
| 2 | White | 白 |
| 1 | Brown | 棕 |

| Pin # | Wire |
|-------|---------|
| | Pin Out |



Pin Assignments Front View

| | | |
|-----------|-------|--|
| UNIT:mm | | |
| TOLERANCE | | |
| .X | ±0.25 | |
| .XX | ±0.1 | |
| .XXX | ±0.05 | |
| ANGLES | ±1° | |

| | | | |
|---|----------------|------------------------------|--|
| TITLE N SEN, M12 B -SHLD, SCREW RECEPTACLE, F, F, FI/PANEL CRIMP $\triangle D$ | | | |
| SCALE 3:2 | SIZE A4 | SHEET 1 OF 1 | |
| REV. D | WC-REV. A.1 | ⌀ : Inspection item | |

Amphenol LTW
安費諾亮泰企業股份有限公司

| | | |
|--|--------------------|--------------------|
| ITEM NO | DRAWN BY Vicky | DATE 2019-09-24 |
| DWG NO \triangle MSBS-XXPFFC-SF8CXX | CHECKED BY Rita | DATE 2019-09-24 |
| CUSTOMER ALTW | APPROVED BY Max | DATE 2019-09-24 |