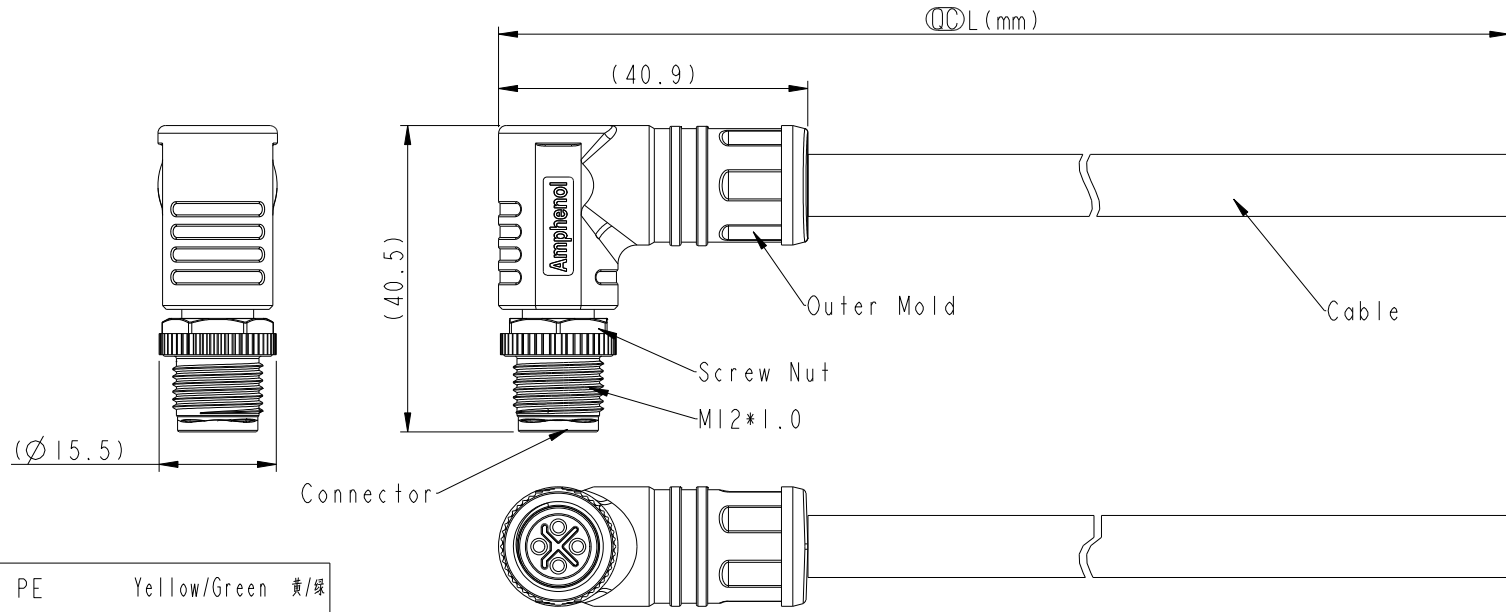
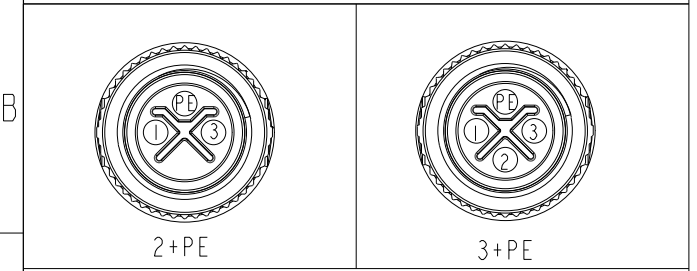


THIS DOCUMENT IS SUBJECT TO CHANGE WITHOUT NOTICE. IT IS CONFIDENTIAL AND A PROPERTY OF Amphenol LTW. DISCLOSURE TO THIRD PARTY HAS TO BE AUTHORIZED BY Amphenol LTW.

1		2		3		4		5		6		7		8	
4P		8.2		MSSP-04BMMM-SR8GXX		REV.		ECN NO.		DATE		SIGN		DESCRIPTION	
3P		7.5		MSSP-03BMMM-SR8GXX		A		initial release		2021-10-04		Li Dai		Rew.01 to Rve.A	
No. of Contact		Cable OD(mm)		Item No.		B		C211619		2021/12/16		Li Dai		△B X1	
		△B		△C		C		C221810		2022/12/07		Li Dai		△C X4	



PE	Yellow/Green	黄/绿	PE	Yellow/Green	黄/绿
3	Blue	蓝	3	Blue	蓝
1	Brown	棕	2	White	白
1	Brown	棕	1	Brown	棕
Pin #	Wire		Pin #	Wire	



MSSP-XXBMMM-SR8GXX △C

XX: 01~99 Meters
 01: 01 Meter
 02: 02 Meters
 :
 99: 99 Meters

No. of Pin

- Notes:
- * ∅ Important Dimension to Check.
 - * Waterproof Rate: IP68(1M, 24Hours).
 - * Connector: Thermoplastic, Black.
 - * Male Pin: Copper Alloy, Gold Plated.
 - * Screw Nut: Thermoplastic, Black.
 - △C * Cable UL2586, 16AWG, PVC Jacket, Black.
 - * Cable Length Tolerance: 01M: +50/-0mm
 >02M~03M: +100/-0mm
 >03M~05M: +150/-0mm
 >05M~10M: ±100mm
 >10M~20M: ±200mm
 >20M~30M: ±300mm
 >30M~99M: ±500mm

UNIT:mm		TITLE	M12 S Code, R/A, Plastic Screw Nut, Male Conn + Cable		
TOLERANCE		SCALE	1:1	SIZE	A4
±0.5mm		REV.	C	WC-REV.	.0
		∅C: Inspection item			

Amphenol LTW
 安費諾亮泰企業股份有限公司

ITEM NO	DRAWN BY	DATE
	Li Dai	2021-10-04
DWG NO	CHECKED BY	DATE
MSSP-XXBMMM-SR8GXX	Fisher Wang	2021-10-04
CUSTOMER	APPROVED BY	DATE
ALTW	Max Yang	2021-10-04