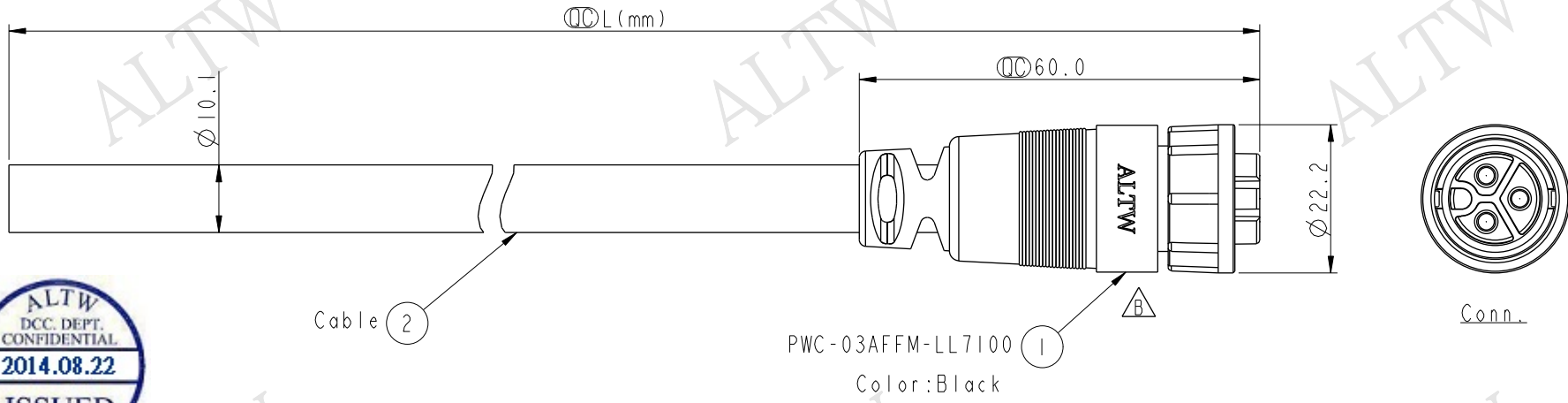
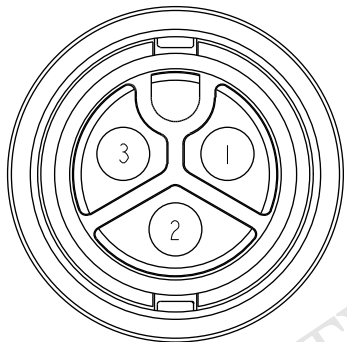


REV.	ECN NO.	DATE	SIGN	DESCRIPTION
B	LEN1480445~448	2014/08/14	Sam	Change Logo.



Cable ②

PWC-03AFFM-LL7100
Color:Black



Pin Assignments
Front View



PWC-03AFFM-LL7E^{XX}

- XX : 01~99Meters
- 01 : 01Meter
- 02 : 02Meters
-
-
- 99 : 99Meters

Cable Length(L):01~99Meters

- Note:
- * \varnothing Important Dimension To Check.
 - * Waterproof Rate: IP67
 - * Connector: Nylon+GF, Black.
 - * Female Pin: Copper Alloy, Gold Plated.
 - * Lock Nut: Nylon+GF, Black.
 - * Cable: VDE H05 2.5mm²*3G, PVC Jacket OD=10.1, Black.
 - * Cable Length Tolerance: 01M:40mm
02M~05M:±60mm
06M~10M:±100mm
11M~30M:±200mm
31M~99M:±500mm

3	Blue	藍
2	Black	黑
1	Brown	棕
Conn.	Wire Color	
	Pin Out	

UNIT:mm	
TOLERANCE	±0.5 mm

TITLE POWER MOLDING F CONN. F PIN 20A			
SCALE 1:1	SIZE A4	SHEET 1	OF 1
REV. B	WC-REV. A.2	\varnothing : Inspection item	

Amphenol LTW
安費諾亮泰企業股份有限公司

ITEM NO	DRAWN BY Sam	DATE 2014-08-14
DWG NO PWC-03AFFM-LL7E ^{XX}	CHECKED BY Vicky	DATE 2014-08-14
CUSTOMER ALTW	APPROVED BY Rita	DATE 2014-08-14

THIS DOCUMENT IS SUBJECT TO CHANGE WITHOUT NOTICE. IT IS CONFIDENTIAL AND A PROPERTY OF Amphenol LTW. DISCLOSURE TO THIRD PARTY HAS TO BE AUTHORIZED BY Amphenol LTW.