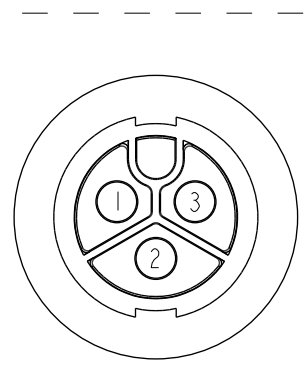
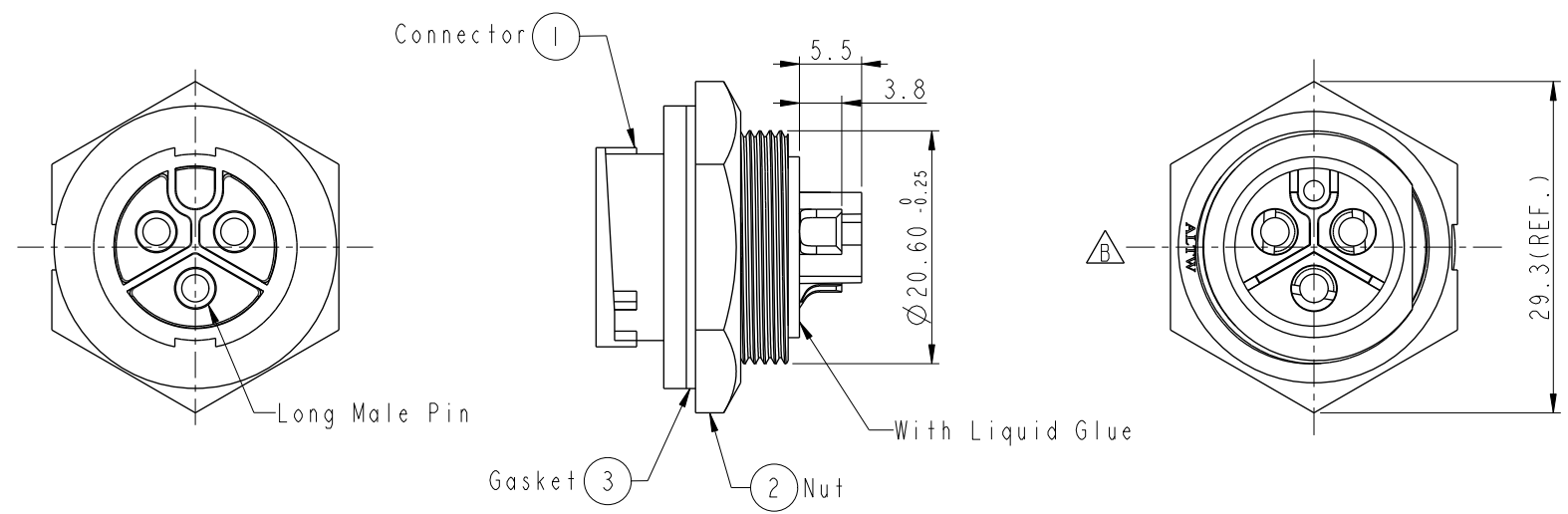
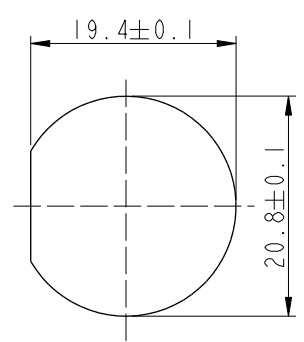


THIS DOCUMENT IS SUBJECT TO CHANGE WITHOUT NOTICE. IT IS CONFIDENTIAL AND A PROPERTY OF AMPHENOL LTW. DISCLOSURE TO THIRD PARTY HAS TO BE AUTHORIZED BY AMPHENOL LTW.

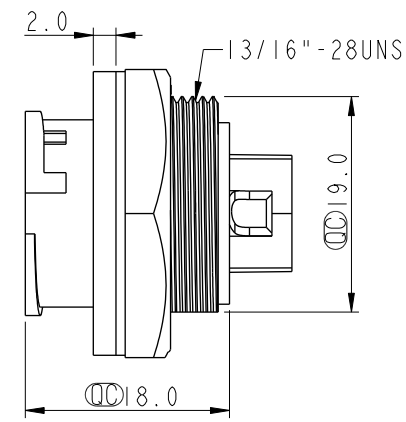
REV.	ECN NO.	DATE	SIGN	DESCRIPTION
B	C200524	2020/04/21	Vicky	△B *6



Pin Assignments
Front View



Recommended
Panel Cut-Out



- Note:
- * (M) Important Dimension To Check.
 - △B * Waterproof Rate: IP67, Unmated
 - △B * Connector: Thermoplastic, Black
 - * Male Pin: Copper Alloy, Gold Plated
 - △B * Nut: Thermoplastic, Black
 - △B * Gasket: Rubber, Gray
 - * Maximum Panel Thickness: 4.5mm
 - * UL94V-0 Materials used
 - * For U;2238 Certificated E318730

UNIT:mm		
TOLERANCE		
.X	±0.25	
.XX	±0.1	
.XXX	±0.05	
ANGLES	±1°	

TITLE		PWR, 20A, 03P, REAR FASTENED M, M, SOLDER, 2LOCK		△B
SCALE	3:2	SIZE	A4	SHEET 1 OF 1
REV.	B	WC-REV.	A.4	(M): Inspection item

Amphenol LTW
安費諾亮泰企業股份有限公司

ITEM NO.	PWC-03RMMS-LC7002
DWG NO.	PWC-03RMMS-LC7002
CUSTOMER	ALTW

DRAWN BY	Ivan Lin
CHECKED BY	Aric
APPROVED BY	Max

DATE	2010-01-28
DATE	2010-01-29
DATE	2010-01-29