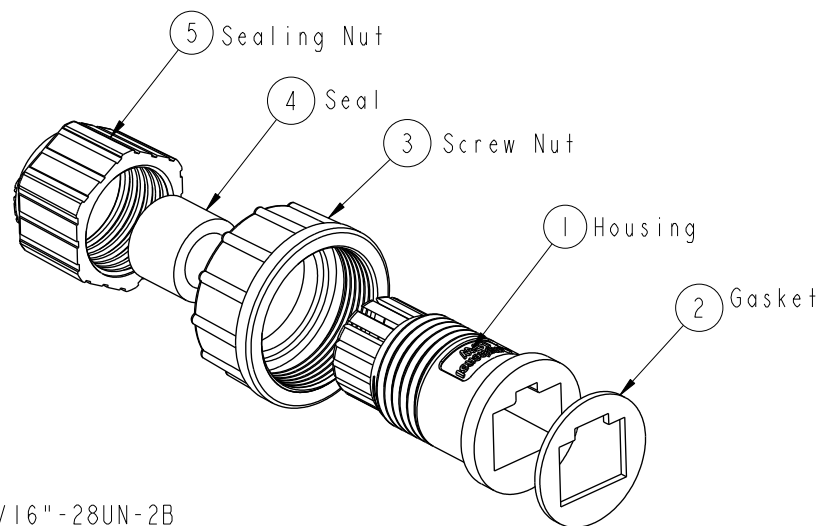
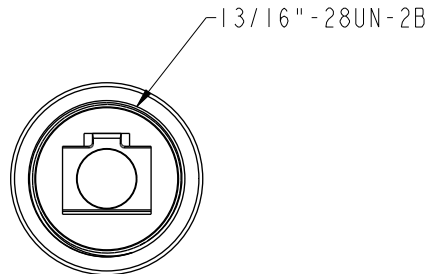
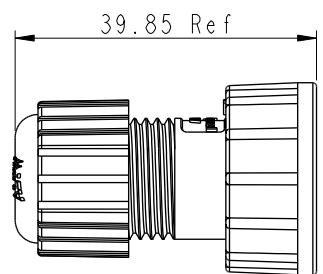
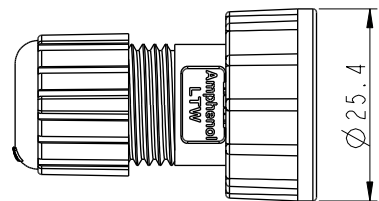


THIS DOCUMENT IS SUBJECT TO CHANGE WITHOUT NOTICE. IT IS CONFIDENTIAL AND A PROPERTY OF Amphenol LTW. DISCLOSURE TO THIRD PARTY HAS TO BE AUTHORIZED BY Amphenol LTW.

REV.	ECN NO.	DATE	SIGN	DESCRIPTION
B	LEN1460065	2014/06/18	Tom	Change Temperature Range
C	LE31490137	2014/09/03	Joyy	Change to 94 V0 material
D	C201856	2020/11/25	Vicky	$\triangle D$ *2



- $\triangle D$ Note:
- * $\text{\textcircled{D}}$ Important Dimension To Check
 - * Waterproof Rate: IP67, Mated
 - * Housing: Thermoplastic, Black
 - * Gasket: Rubber, Gray
 - * Seal: Rubber, Gray
 - * Screw Nut: Zinc Alloy, Nickel Plated
 - $\triangle C$ * Sealing Nut: Thermoplastic, Black
 - $\triangle B$ * Temperature Range: -40~+105°C
 - * Seal for cable OD: $\varnothing 4.5\text{-}\varnothing 7.5\text{mm}$
 - * One Set Unassembled in One PE Bag

UNIT: mm		TITLE			<h1>Amphenol LTW</h1> <p>安費諾亮泰企業股份有限公司</p>	ITEM NO	DRAWN BY	DATE
		RJ, C METAL, NONE CABLE W/O SR, M, FI COMPLED, SCREW				RCM-00BMA-SLM7001	Joyy	2014-09-03
TOLERANCE		SCALE	SIZE	SHEET	OF	DWG NO	CHECKED BY	DATE
.X	± 0.25	1:1	A4	1	1	RCM-00BMA-SLM7001	Tom	2014-09-03
.XX	± 0.1	REV.	WC-REV.			CUSTOMER	APPROVED BY	DATE
.XXX	± 0.05	D	A.8			ALTW	Victor	2014-09-03
ANGLES	$\pm 1^\circ$			$\text{\textcircled{D}}$: Inspection item				