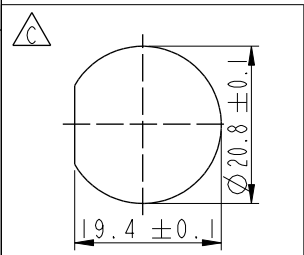
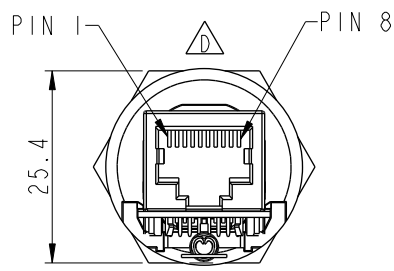
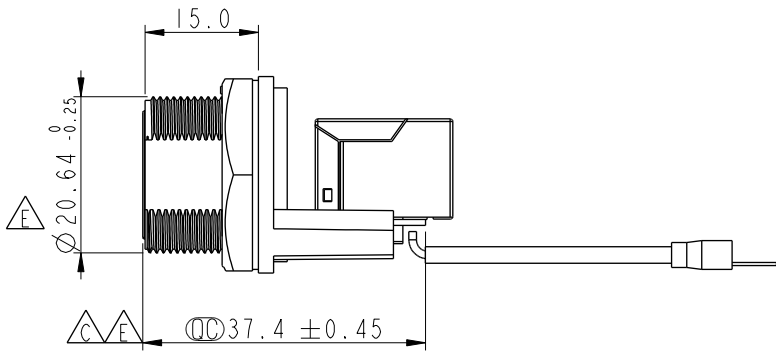
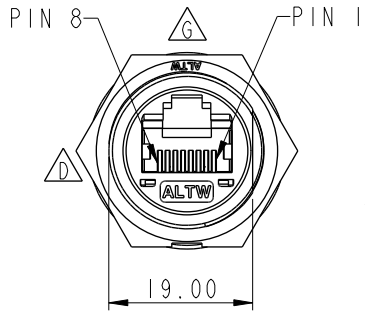
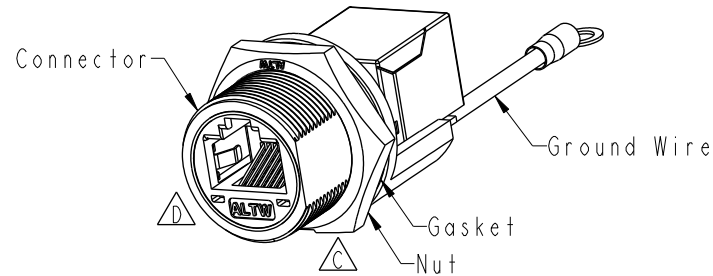
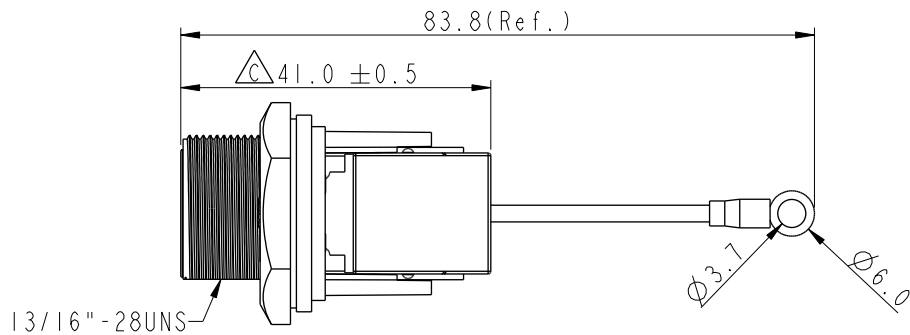


REV.	ECN NO.	DATE	SIGN	DESCRIPTION
F	C190405	2019/03/18	Ruru	Modify Note
G	C200524	2020/04/22	Vicky	△G X2
H	C220799	2022/05/24	Vicky	△H X1



Recommended Panel Cut-Out

- △F △H Note:
- * RoHS Compliant
 - * Ⓞ Important dimension
 - * Waterproof rate: IPX7, mated
 - * Connector
 - Housing: Thermoplastic, Black, RJ45 jack, shielded
 - * Nut: Thermoplastic, Black
 - * Gasket: Rubber, Gray
 - * Use with waterproof cap or dust cap
 - Panel thickness max: 3.0mm
 - * Use without waterproof cap or dust cap
 - Panel thickness max: 4.2mm
 - * Gasket and nut are assembled on connectors
 - * Wire: UL1015, 20AWG, Green

UNIT: mm		TITLE	
TOLERANCE		RJ, C PLASTIC, C5E SHLD	
.X	±0.25	FRONT FASTENED, F, PNL JACK S, SCREW	
.XX	±0.1		
.XXX	±0.05		
ANGLES	±1°		
SCALE	1:1	SIZE	A4
REV.	H	WC-REV.	B.5
		Ⓞ	Inspection item

Amphenol LTW
安費諾亮泰企業股份有限公司

ITEM NO	RCP-5SPFFH-SCM7002	DRAWN BY	Ruru	DATE	2019-03-18
DWG NO	RCP-5SPFFH-SCM7002	CHECKED BY	Rita	DATE	2019-03-18
CUSTOMER	ALTW	APPROVED BY	Max	DATE	2019-03-18

THIS DOCUMENT IS SUBJECT TO CHANGE WITHOUT NOTICE. IT IS CONFIDENTIAL AND A PROPERTY OF Amphenol LTW. DISCLOSURE TO THIRD PARTY HAS TO BE AUTHORIZED BY Amphenol LTW.