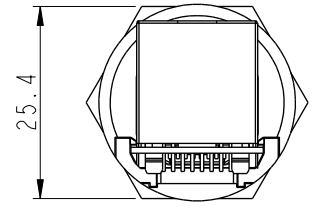
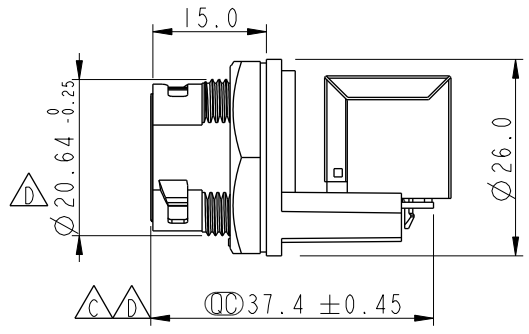
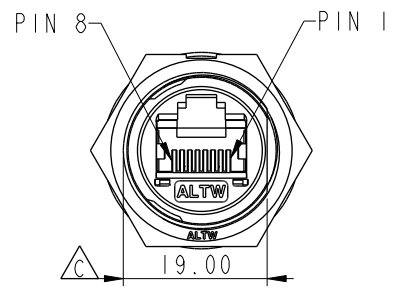
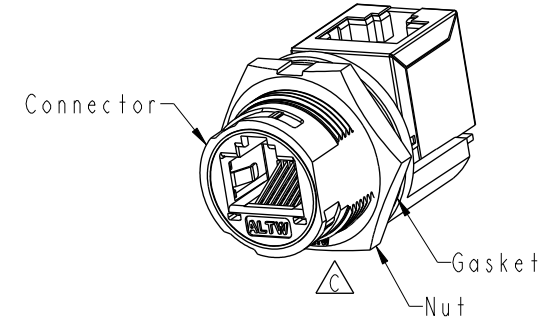
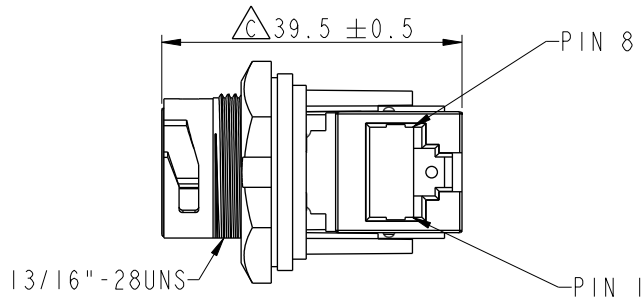
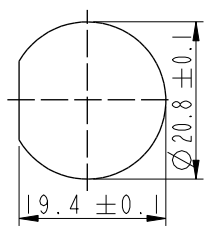


THIS DOCUMENT IS SUBJECT TO CHANGE WITHOUT NOTICE. IT IS CONFIDENTIAL AND A PROPERTY OF AMPHENOL LTW. DISCLOSURE TO THIRD PARTY HAS TO BE AUTHORIZED BY AMPHENOL LTW.

REV.	ECN NO.	DATE	SIGN	DESCRIPTION
D	LEN1810010	2017/11/28	Jalam	Modify The Tolerance
E	C190405	2019/03/15	Ruru	Modify Note
F	C220799	2022/05/26	Vicky	△ F X2



- Note:**
- \* RoHS Compliant
  - \*  $\text{⌀}$  Important dimension
  - \* Waterproof rate: IPX7, mated
  - \* Connector
  - Housing: Thermoplastic, Black, RJ45 jack, shielded
  - \* Nut: Thermoplastic, Black
  - \* Gasket: Rubber, Gray
  - \* Use with waterproof cap or dust cap
  - Panel thickness max: 1.8mm
  - \* Use without waterproof cap or dust cap
  - Panel thickness max: 3.0mm
  - \* Gasket and nut are packed separately in pe bag



Recommended Panel Cut-Out

UNIT: mm		TITLE RJ, C PLASTIC, C5E SHLD FRONT FASTENED, F, PNL JACK R, 3LOCK	$\text{⌀}$
TOLERANCE	.X ±0.25 .XX ±0.1 .XXX ±0.05 ANGLES ±1°	SCALE 1:1	SIZE A4
		REV. F	WC-REV. B.4
		SHEET 1 OF 1	
		$\text{⌀}$ : Inspection item	

**Amphenol LTW**  
安費諾亮泰企業股份有限公司

ITEM NO. RCP-5SPFFV-TCM7001	DRAWN BY Ruru	DATE 2019-03-15
DWG NO. RCP-5SPFFV-TCM7001	CHECKED BY Rita	DATE 2019-03-15
CUSTOMER ALTW	APPROVED BY Max	DATE 2019-03-15