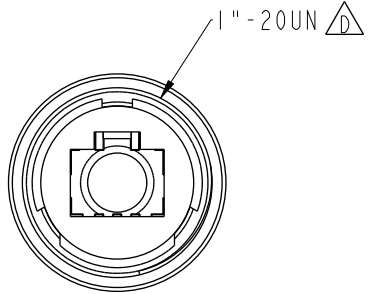
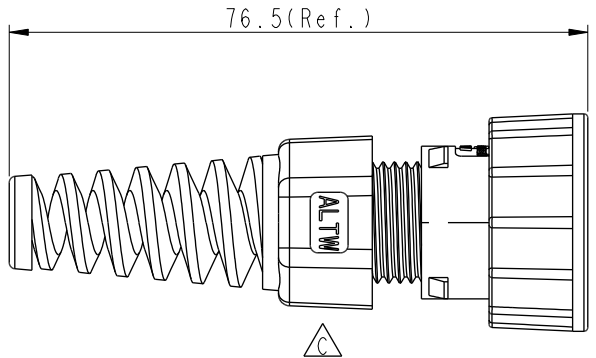
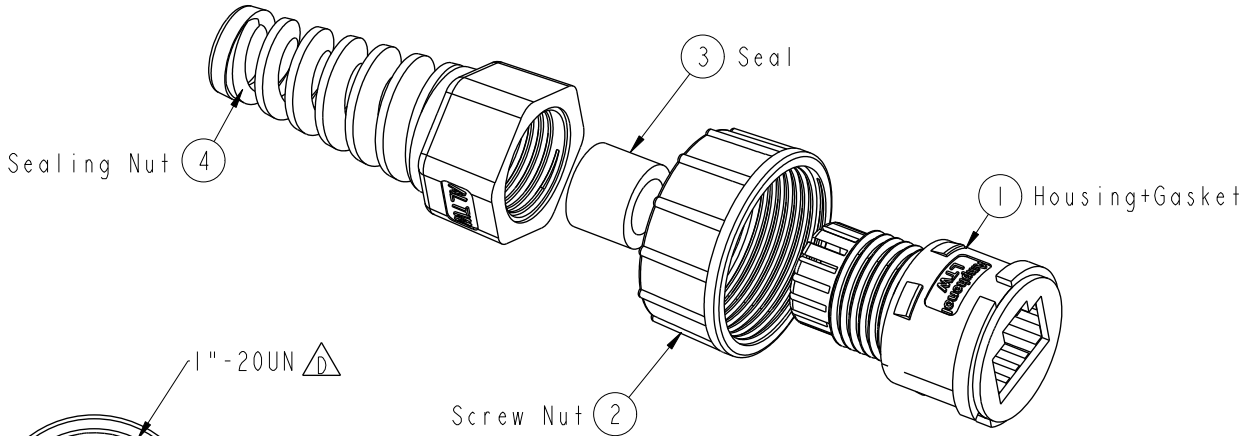
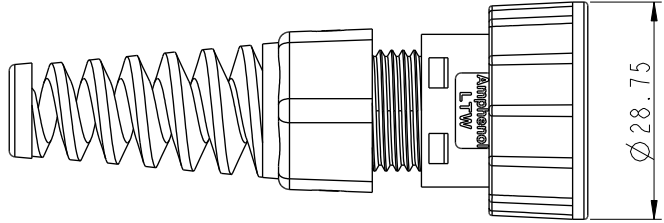


REV.	ECN NO.	DATE	SIGN	DESCRIPTION
C	LEN15A0377	2015/10/08	Ruru	Change Logo
D	C191118	2019/07/04	Fu	Amend Screw Mark And Title
E	C201856	2020/11/25	Vicky	⚠E*2



- ⚠E Note:
- * Ⓞ Important Dimension To Check
 - * Waterproof Rate: IP67
 - * Gasket: Rubber, Gray.
 - ⚠B * Housing: Thermoplastic, Black
 - * Screw Nut: Thermoplastic, Black
 - ⚠B * Sealing Nut: Thermoplastic, Black
 - * Seal: Rubber, Gray
 - * Seal For Cable OD $\varnothing 4.5\text{mm} \sim \varnothing 7.5\text{mm}$
 - * One Set Unassembled In One PE Bag

UNIT: mm			TITLE RJ, D PLASTIC, NONE CABLE W/SR, M, FI COMPLETED, SCREW
TOLERANCE .X ±0.25 .XX ±0.1 .XXX ±0.05 ANGLES ±1°	SCALE 1:1	SIZE A4	SHEET 1 OF 1
REV. E	WC-REV. A.11	Ⓞ: Inspection item	

Amphenol LTW
安費諾亮泰企業股份有限公司

ITEM NO RDP-00AMMA-SLM7001	DRAWN BY Fu	DATE 2019-07-04
DWG NO RDP-00AMMA-SLM7001	CHECKED BY Feng li	DATE 2019-07-04
CUSTOMER ALTW	APPROVED BY Jerry	DATE 2019-07-04

THIS DOCUMENT IS SUBJECT TO CHANGE WITHOUT NOTICE. IT IS CONFIDENTIAL AND A PROPERTY OF Amphenol LTW. DISCLOSURE TO THIRD PARTY HAS TO BE AUTHORIZED BY Amphenol LTW.