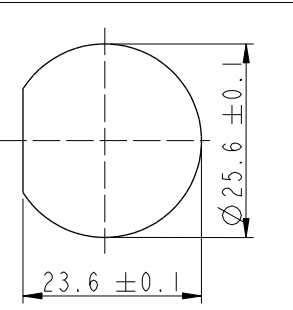
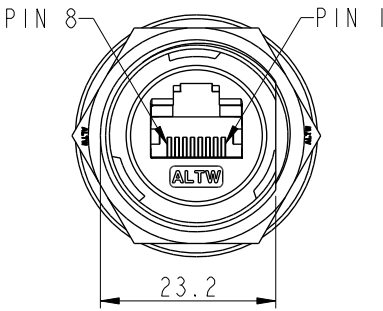
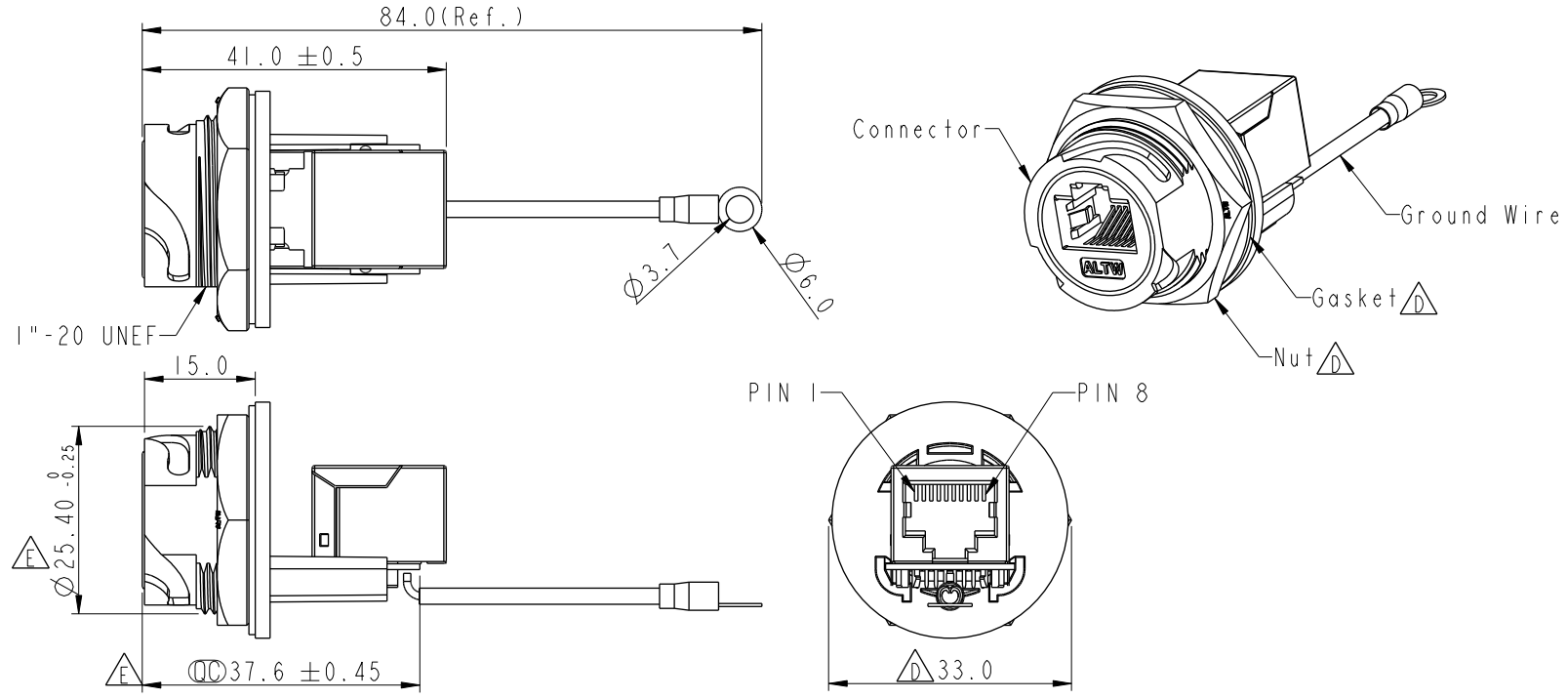


THIS DOCUMENT IS SUBJECT TO CHANGE WITHOUT NOTICE. IT IS CONFIDENTIAL AND A PROPERTY OF AMPHENOL LTW. DISCLOSURE TO THIRD PARTY HAS TO BE AUTHORIZED BY AMPHENOL LTW.

| REV. | ECN NO. | DATE | SIGN | DESCRIPTION |
|------|------------|------------|-------|----------------------|
| E | LEN1810061 | 2017/11/29 | Jalam | Change The Tolerance |
| F | C190405 | 2019/03/18 | Ruru | Modify Note |
| G | C220800 | 2022/05/31 | Vicky | △G X2 |



Recommended Panel Cut-Out

- Note:**
- * RoHS Compliant
 - * Ⓞ Important dimension
 - * Waterproof rate: IPX7, unmated
 - * Connector Housing: Thermoplastic, Black, RJ45 jack, shielded
 - * Nut: Thermoplastic, Black
 - * Gasket: Rubber, Gray
 - * Use with waterproof cap or dust cap
Panel thickness max: 1.3mm
 - * Use without waterproof cap or dust cap
Panel thickness max: 2.5mm
 - * Gasket and nut are assembled on connectors
 - * Wire: UL1015, 20AWG, Green

| | | | |
|---|----------------|--------------------|---|
| UNIT: mm | | | TITLE RJ, D PLASTIC, C5E SHLD FRONT FASTENED, F, PNL JACK S, 3LOCK |
| TOLERANCE .X ±0.25 .XX ±0.1 .XXX ±0.05 ANGLES ±1° | SCALE 1:1 | SIZE A4 | SHEET 1 OF 1 |
| REV. G | WC-REV. B.9 | Ⓞ: Inspection item | |

Amphenol LTW
安費諾亮泰企業股份有限公司

| | | |
|--------------------------------|--------------------|--------------------|
| ITEM NO. RDP-5SPFFH-TCU7002 | DRAWN BY Ruru | DATE 2019-03-18 |
| DWG NO. RDP-5SPFFH-TCU7002 | CHECKED BY Rita | DATE 2019-03-18 |
| CUSTOMER ALTW | APPROVED BY Max | DATE 2019-03-18 |