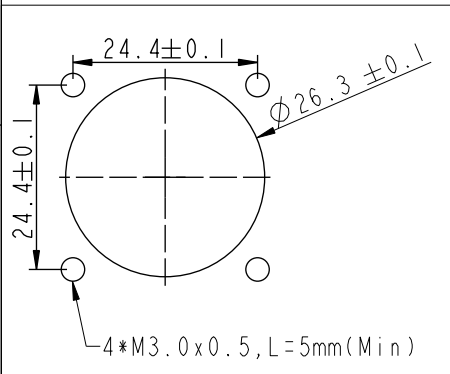
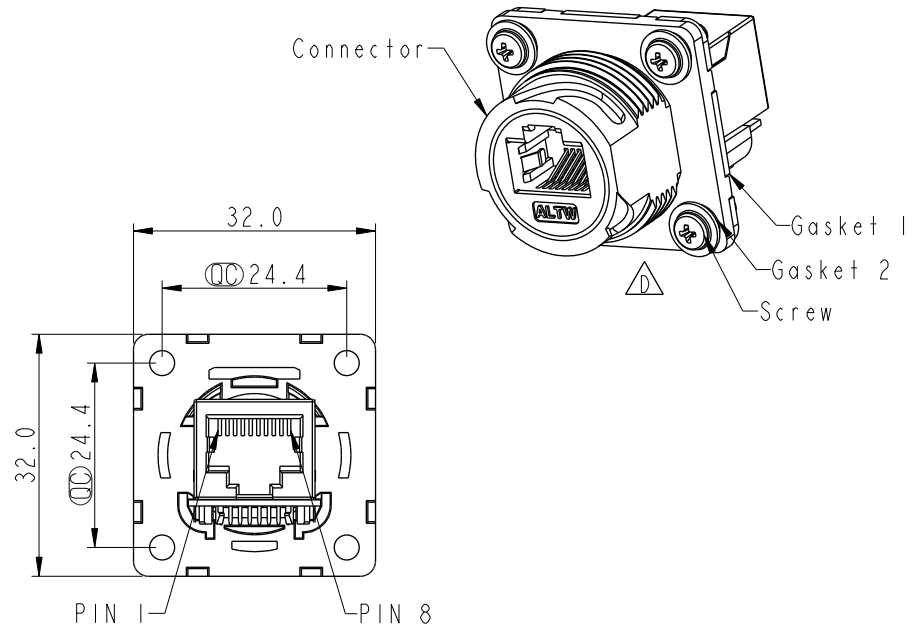
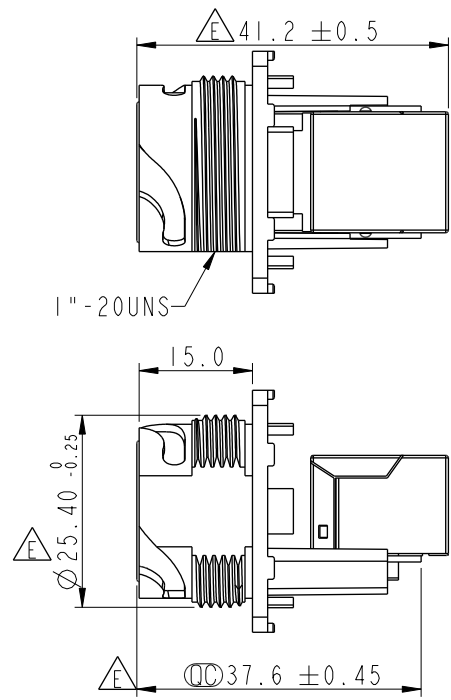
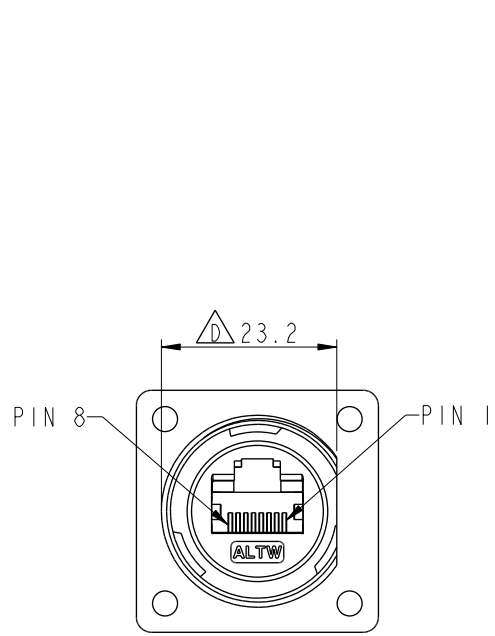


THIS DOCUMENT IS SUBJECT TO CHANGE WITHOUT NOTICE. IT IS CONFIDENTIAL AND A PROPERTY OF AMPHENOL LTW. DISCLOSURE TO THIRD PARTY HAS TO BE AUTHORIZED BY AMPHENOL LTW.

REV.	ECN NO.	DATE	SIGN	DESCRIPTION
E	LEN1810075	2017/11/29	Jalam	Change The Tolerance
F	C190405	2019/03/15	Ruru	Modify Note
G	C220800	2022/05/31	Vicky	△G X3



- △D △F △G Note:
- * RoHS Compliant
 - * ⌀ Important dimension
 - * Waterproof rate: IPX7, unmated
 - * Connector Housing: Thermoplastic, Black, RJ45 jack, shielded
 - * Gasket 1: Rubber, Gray
 - * Gasket 2: Rubber, Black
 - * Screw: Metal

Recommended Panel Cut-Out △D

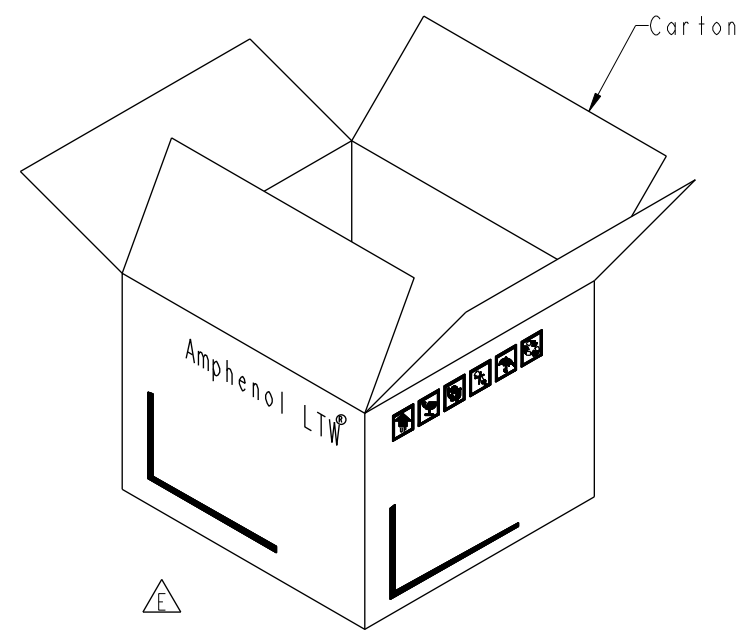
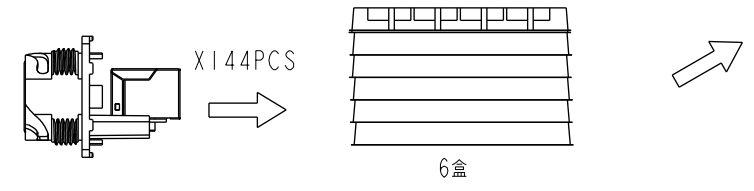
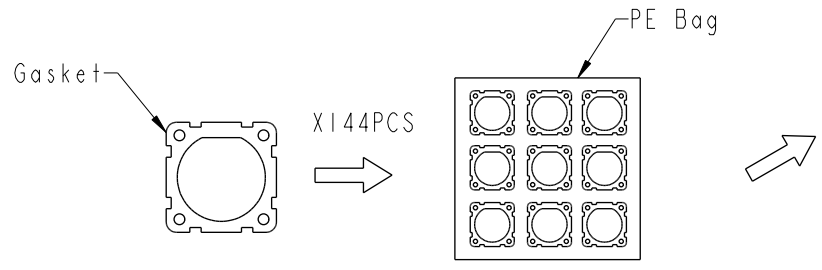
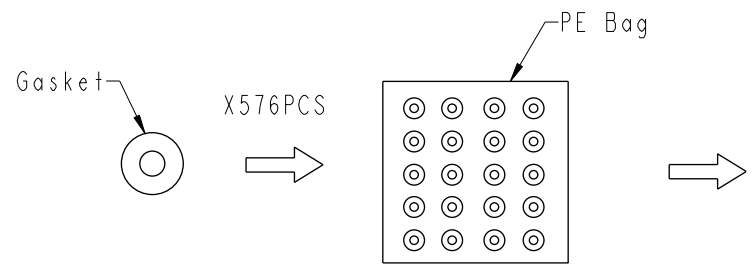
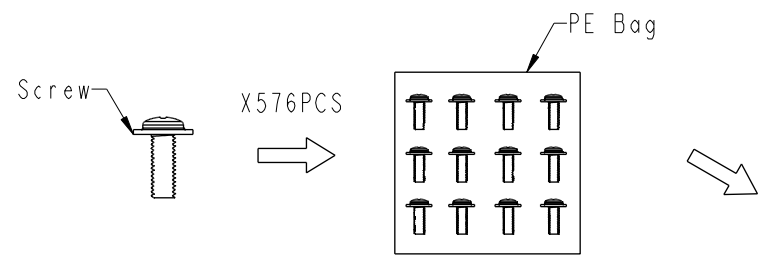
UNIT: mm			TITLE	△G
TOLERANCE	.X ±0.25	.XX ±0.1	RJ, D PLASTIC, C5E SHLD FRONT FASTENED, F, PNL JACK S, 3LOCK	
.XXX ±0.05	ANGLES ±1°	SCALE 1:1	SIZE A4	SHEET 1 OF 2
		REV. G	WC-REV. C.6	⌀: Inspection item

Amphenol LTW
安費諾亮泰企業股份有限公司

ITEM NO	RDP-5SPFFH-TSU7001	DRAWN BY	Ruru	DATE	2019-03-15
DWG NO	RDP-5SPFFH-TSU7001	CHECKED BY	Rita	DATE	2019-03-15
CUSTOMER	ALTW	APPROVED BY	Max	DATE	2019-03-15

THIS DOCUMENT IS SUBJECT TO CHANGE WITHOUT NOTICE. IT IS CONFIDENTIAL AND A PROPERTY OF Amphenol LTW. DISCLOSURE TO THIRD PARTY HAS TO BE AUTHORIZED BY Amphenol LTW.

Packing



Note:
 * 1Pc 產品配 1Pc Gasket, 4Pcs Washer, 4Pcs Screw
 * 配件的出貨數量參考實際產品出貨數量

UNIT: mm	
TOLERANCE	
.X	±0.25
.XX	±0.1
.XXX	±0.05
ANGLES	±1°

TITLE RJ, D PLASTIC, C5E SHLD FRONT FASTENED, F, PNL JACK S, 3LOCK			
SCALE	1:1	SIZE	A4
REV.	G	WC-REV.	C.6
SHEET 2 OF 2		QC: Inspection item	

Amphenol LTW
 安費諾亮泰企業股份有限公司

ITEM NO	RDP-5SPFFH-TSU7001	DRAWN BY	Ruru	DATE	2019-03-15
DWG NO	RDP-5SPFFH-TSU7001	CHECKED BY	Rita	DATE	2019-03-15
CUSTOMER	ALTW	APPROVED BY	Max	DATE	2019-03-15