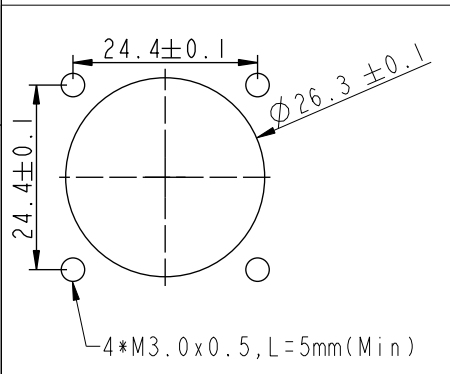
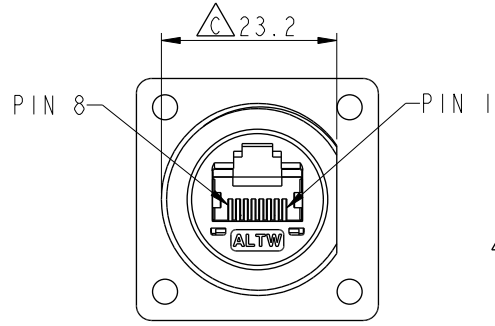
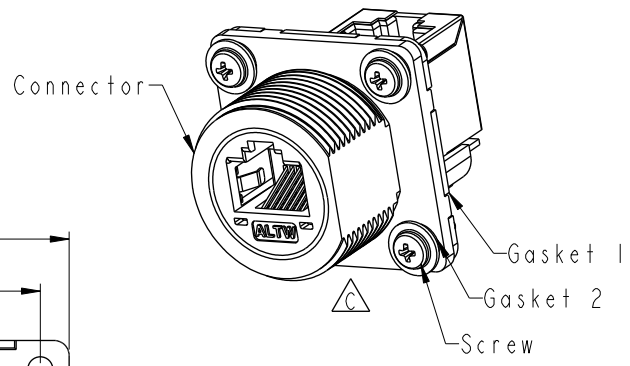
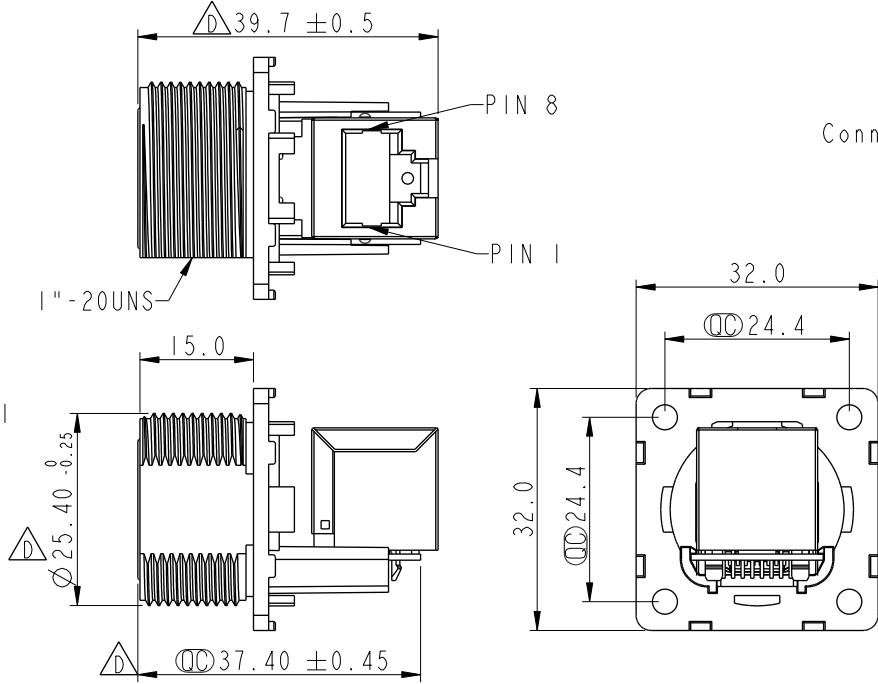


REV.	ECN NO.	DATE	SIGN	DESCRIPTION
D	LEN1810076	2017/11/29	Jalam	Change The Tolerance
E	C190405	2019/03/15	Ruru	Modify Note
F	C220800	2022/06/02	Vicky	△ F X3

THIS DOCUMENT IS SUBJECT TO CHANGE WITHOUT NOTICE. IT IS CONFIDENTIAL AND A PROPERTY OF AMPHENOL LTW. DISCLOSURE TO THIRD PARTY HAS TO BE AUTHORIZED BY AMPHENOL LTW.



- △ △ △ Note:
- \* RoHS Compliant
  - \* Ⓞ Important dimension
  - \* Waterproof rate: IPX7, mated
  - \* Connector Housing: Thermoplastic, Black, RJ45 jack, shielded
  - \* Gasket 1: Rubber, Gray
  - \* Gasket 2: Rubber, Black
  - \* Screw: Metal

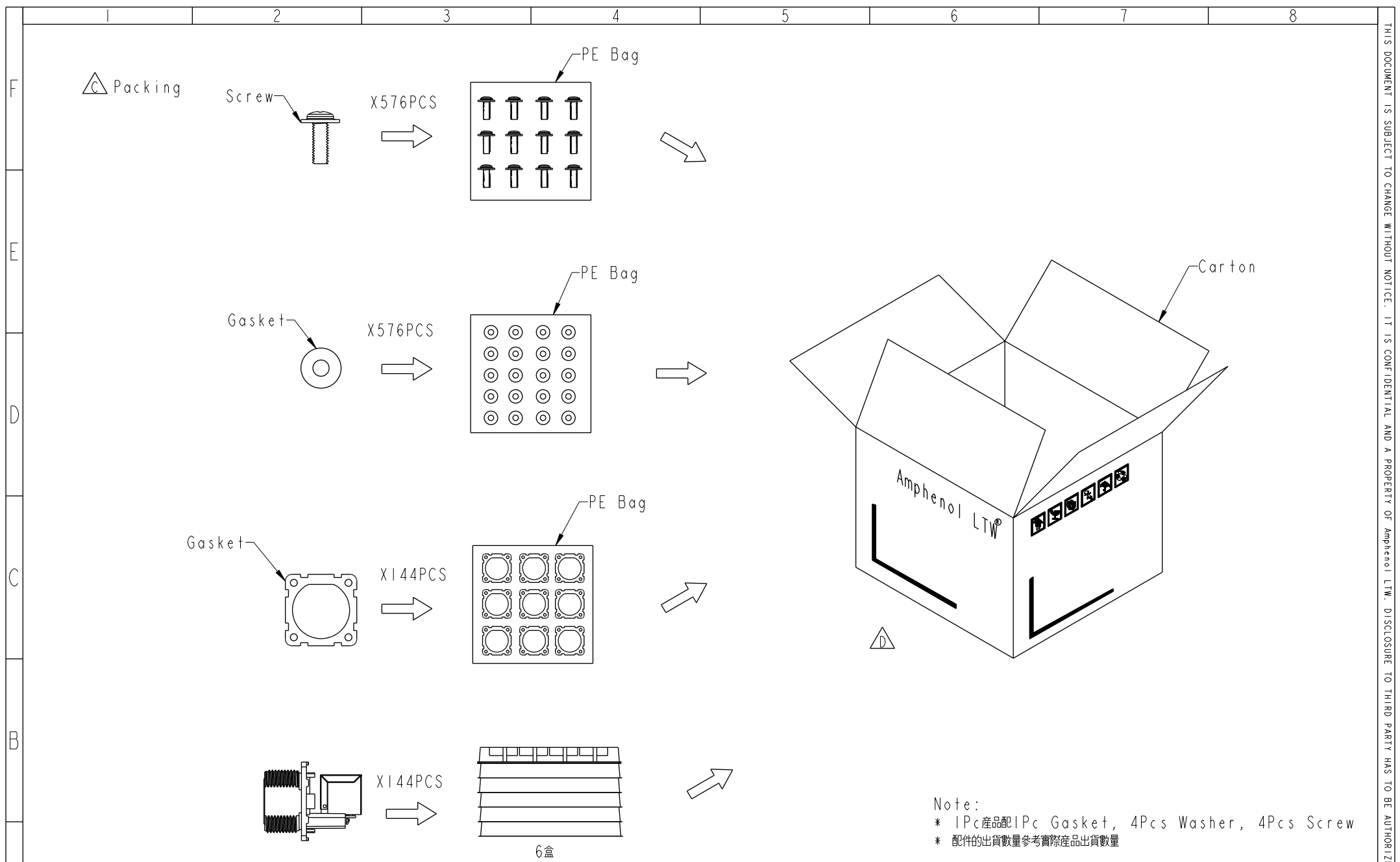
Recommended Panel Cut-Out △

UNIT: mm			TITLE	
TOLERANCE	.X ±0.25	.XX ±0.1	RJ, D PLASTIC, C5E SHLD FRONT FASTENED, F, PNL JACK R, SCREW	△
.XXX ±0.05	ANGLES ±1°	SCALE 1:1	SIZE A4	SHEET 1 OF 2
		REV. F	WC-REV. B.5	Ⓞ: Inspection item

**Amphenol LTW**  
安費諾亮泰企業股份有限公司

ITEM NO	RDP-5SPFFV-SSM7001	DRAWN BY	Ruru	DATE	2019-03-15
DWG NO	RDP-5SPFFV-SSM7001	CHECKED BY	Rita	DATE	2019-03-15
CUSTOMER	ALTW	APPROVED BY	Max	DATE	2019-03-15

THIS DOCUMENT IS SUBJECT TO CHANGE WITHOUT NOTICE. IT IS CONFIDENTIAL AND A PROPERTY OF Amphenol LTW. DISCLOSURE TO THIRD PARTY HAS TO BE AUTHORIZED BY Amphenol LTW.



Note:  
 \* 1Pc產品配1Pc Gasket, 4Pcs Washer, 4Pcs Screw  
 \* 配件的出貨數量參考實際產品出貨數量

UNIT: mm			TITLE RJ, D PLASTIC, C5E SHLD FRONT FASTENED, F, PNL JACK R, SCREW		<b>Amphenol LTW</b>	ITEM NO RDP-5SPFFV-SSM7001	DRAWN BY Ruru	DATE 2019-03-15
TOLERANCE .X ±0.25 .XX ±0.1 .XXX ±0.05 ANGLES ±1°			SCALE 1:1	SIZE A4	<b>安費諾亮泰企業股份有限公司</b>	DWG NO RDP-5SPFFV-SSM7001	CHECKED BY Rita	DATE 2019-03-15
		REV. F	WC-REV. B.5	SHEET 2 OF 2		CUSTOMER ALTW	APPROVED BY Max	DATE 2019-03-15