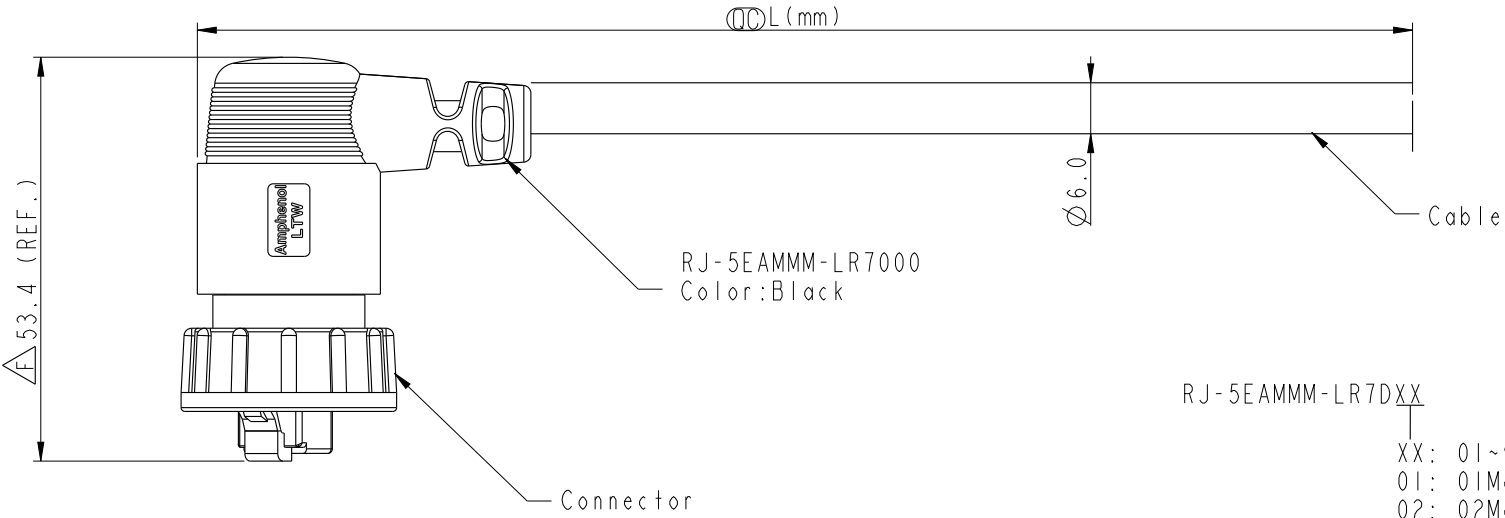


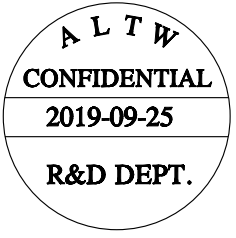
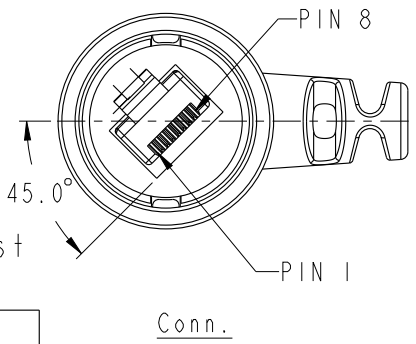
THIS DOCUMENT IS SUBJECT TO CHANGE WITHOUT NOTICE. IT IS CONFIDENTIAL AND A PROPERTY OF Amphenol LTW. DISCLOSURE TO THIRD PARTY HAS TO BE AUTHORIZED BY Amphenol LTW.

REV.	ECN NO.	DATE	SIGN	DESCRIPTION
D	LEN1310121-26	2013/02/01	RAISON	Add LOGO
E	LEN1490346-51	2014-09-06	Joyy	Change to 94V0 material
F	C191686	2019/07/23	JC Chen	Change the dimension



RJ-5EAMMM-LR7DXX
 XX: 01~99Meter
 01: 01Meter
 02: 02Meters
 ...
 99: 99Meters
 Cable Length(L):01~99Meters

Pin Out	
Wire Color	Plug
Brown	8
Brown/white	7
Green	6
Blue/white	5
Blue	4
Green/white	3
Orange	2
Orange/white	1



- Note:
- * \varnothing Important Dimension.
 - * Waterproof Rate: IP67
 - * Plug: 8P8C, Gold Plated, Unshielded
 - * Lock Nut: Nylon+GF, Black
 - * Gasket: Silicone, Gray
 - * Cable: CAT5E UTP, OD: \varnothing 6.0mm, Black
 - * Cable Length Tolerance:
 - 01M: \pm 40mm
 - 02~05M: \pm 60mm
 - 06~10M: \pm 100mm
 - 11~30M: \pm 200mm
 - 30~99M: \pm 500mm

UNIT:mm		
TOLERANCE		
.X	\pm 0.25	
.XX	\pm 0.1	
.XXX	\pm 0.05	
ANGLES	\pm 1°	

TITLE Cable Lock 5E M Conn M Pin			
SCALE 1:1	SIZE A4	SHEET 1 OF 1	
REV. F	WC-REV. A.5	\varnothing : Inspection item	

Amphenol LTW
 安費諾亮泰企業股份有限公司

ITEM NO	DRAWN BY JC Chen	DATE 2019-09-25
DWG NO RJ-5EAMMM-LR7DXX	CHECKED BY Li Feng	DATE 2019-09-25
CUSTOMER ALTW	APPROVED BY Jerry	DATE 2019-09-25