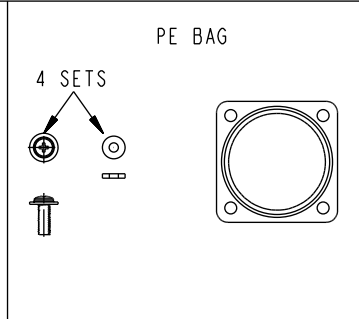
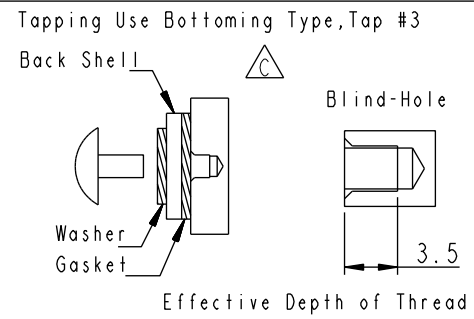
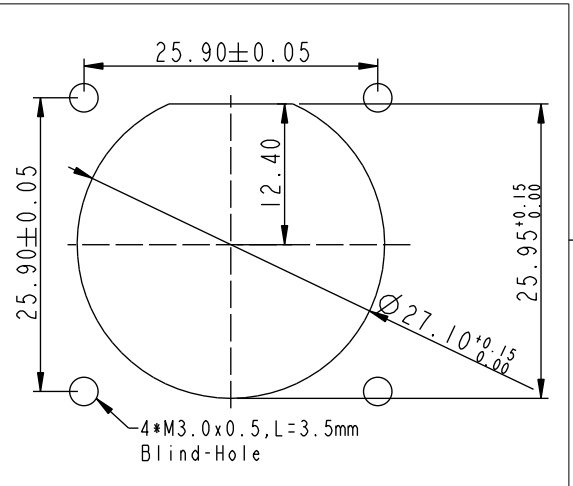
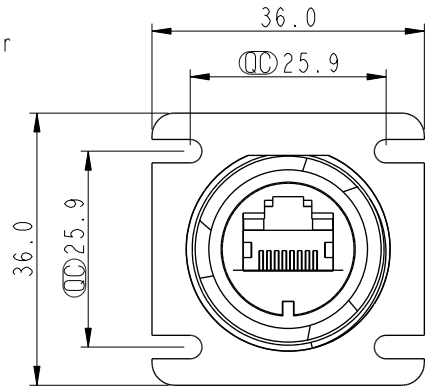
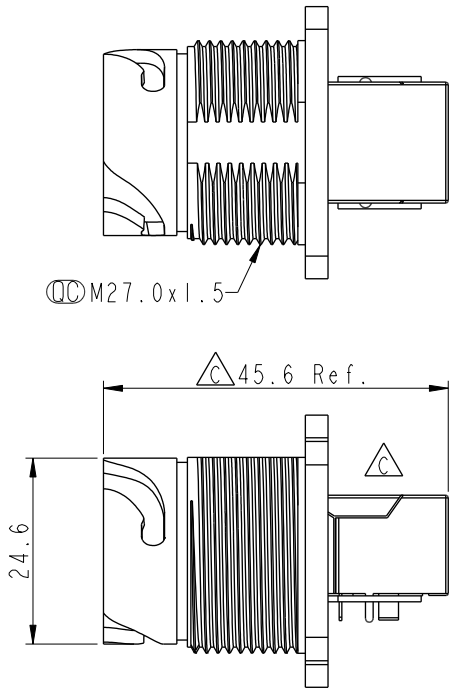
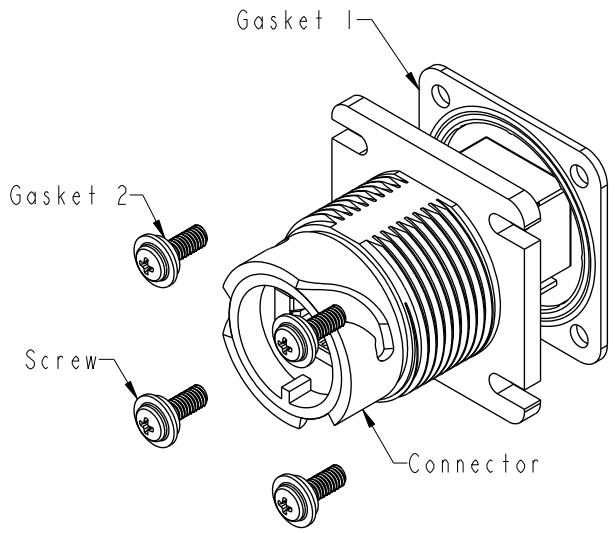


REV.	ECN NO.	DATE	SIGN	DESCRIPTION
E	LEN16B0209	2016/11/22	Feng_Li	Modify Gasket Shape
F	C190405	2019/03/18	Ruru	Modify Note
G	C220801	2022/06/10	Vicky	$\triangle G$ X2



$\triangle F \triangle G$
 Note:
 * RoHS Compliant
 * \varnothing Important dimension
 * $\triangle C$ Waterproof rate: IPX7, unmated
 * Connector Housing: Thermoplastic, Black, RJ45 jack, shielded
 * $\triangle D$ * Gasket 1: Rubber, Black
 * Gasket 2: Rubber, Black
 * Screw: Metal
 * Gasket and screw are packed separately in pe bag

UNIT: mm		
TOLERANCE	.X ±0.25	.XX ±0.1
.XXX ±0.05		
ANGLES	±1°	

TITLE	RJ, ODVA PLASTIC, C5E SHLD FRONT FASTENED, F, PNL JACK S, 3LOCK $\triangle G$		
SCALE	1:1	SIZE	A4
REV.	G	WC-REV.	A.3
		\varnothing	Inspection item

Amphenol LTW
 安費諾亮泰企業股份有限公司

ITEM NO	ROP-5SPFFH-TSU7001	DRAWN BY	Ruru	DATE	2019-03-18
DWG NO	ROP-5SPFFH-TSU7001	CHECKED BY	Rita	DATE	2019-03-18
CUSTOMER	ALTW	APPROVED BY	Max	DATE	2019-03-18

THIS DOCUMENT IS SUBJECT TO CHANGE WITHOUT NOTICE. IT IS CONFIDENTIAL AND A PROPERTY OF AMPHENOL LTW. DISCLOSURE TO THIRD PARTY HAS TO BE AUTHORIZED BY AMPHENOL LTW.