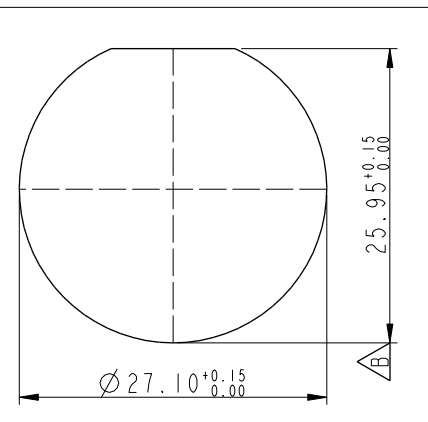
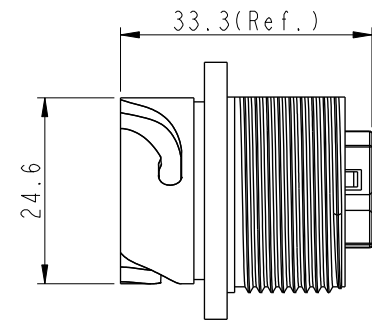
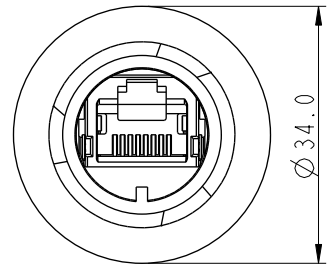
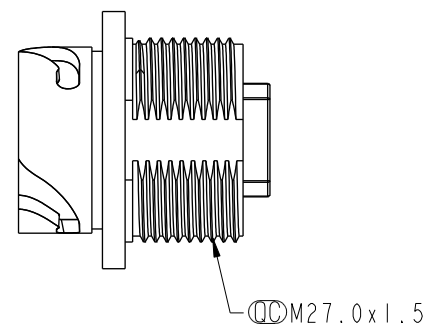
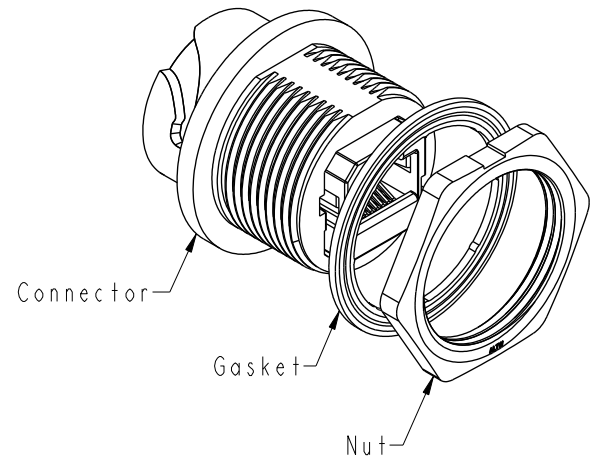


THIS DOCUMENT IS SUBJECT TO CHANGE WITHOUT NOTICE. IT IS CONFIDENTIAL AND A PROPERTY OF Amphenol LTW. DISCLOSURE TO THIRD PARTY HAS TO BE AUTHORIZED BY Amphenol LTW.

REV.	ECN NO.	DATE	SIGN	DESCRIPTION
C	LEN1610288	2016/01/13	Ruru	Change Note
D	C190405	2019/03/18	Ruru	Modify Note
E	C220801	2022/06/08	Vicky	$\triangle E$ X2



- $\triangle D \triangle E$ Note:
- * RoHS Compliant
 - * M Important dimension
 - * Waterproof rate: IPX7, mated
 - * Connector
 - Housing: Thermoplastic, Black, RJ45 jack, shielded
 - * Nut: Thermoplastic, Black
 - $\triangle C$ * Gasket: Rubber, Black
 - * Gasket and nut are packed separately in pe bag

Recommended Panel Cut-Out

UNIT: mm			TITLE RJ, ODVA PLASTIC, C5E SHLD REAR FASTENED, F, PNL JACK S, 3LOCK
TOLERANCE			SCALE 1:1
.X ±0.25			SIZE A4
.XX ±0.1			SHEET 1 OF 1
.XXX ±0.05			REV. E
ANGLES ±1°			WC-REV. B.5
			M : Inspection item

Amphenol LTW
安費諾亮泰企業股份有限公司

ITEM NO. ROP-5SRFFH-TCM7001	DRAWN BY Ruru	DATE 2019-03-18
DWG NO. ROP-5SRFFH-TCM7001	CHECKED BY Rita	DATE 2019-03-18
CUSTOMER ALTW	APPROVED BY Max	DATE 2019-03-18