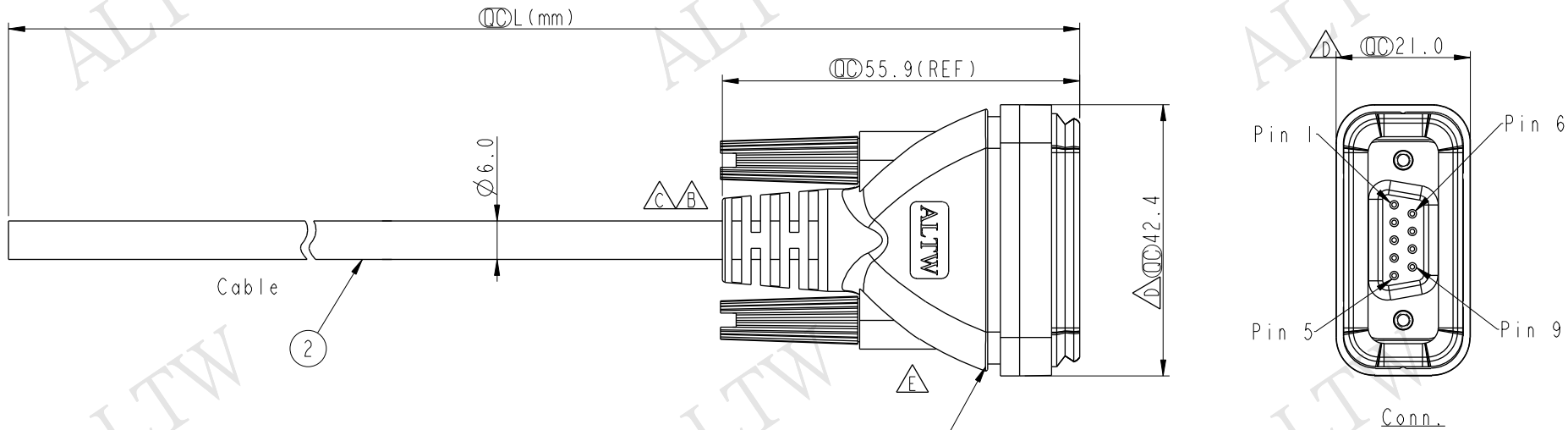


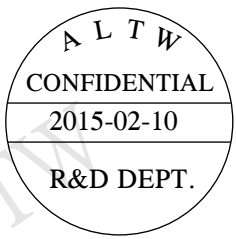
THIS DOCUMENT IS SUBJECT TO CHANGE WITHOUT NOTICE. IT IS CONFIDENTIAL AND A PROPERTY OF AMPHENOL LTW. DISCLOSURE TO THIRD PARTY HAS TO BE AUTHORIZED BY AMPHENOL LTW.

REV.	ECN NO.	DATE	SIGN	DESCRIPTION
C	LEN-930197~201	2009/01/12	Li Xiu Zhi	Change SR
D	LEN1350253~258	2013/05/20	Yulong	Change the Dimension
E	LEN1520271~276	2015/02/10	Ruru	Change Logo



SDB-09AFFM-SL7AXX

XX: 01~99Meter  
 01: 01Meter  
 02: 02Meter  
 ...  
 99: 99Meter



Note:

- \*  $\varnothing$  Important Dimension
- \* Waterproof Rate: IP67
- \* Connector: D-SUB 9Pin Female
- \* Gasket: EPDM, Black
- \* Screw: Steel, Nickel Plated
- \* Cable: UL2464 24AWG\*9C+Drain+Al/My, pvc Jacket UV Resistant OD=6.0mm, Black
- \* Cable Length Tolerance:
  - 01M~05M: 60mm
  - 06M~10M: 100mm
  - 11M~30M: 200mm
  - 31M~99M: 500mm

Shell	Drain	地線
9	Black	黑
8	Red	紅
7	Pink	粉紅
6	Gray	灰
5	Yellow	黃
4	Green	綠
3	White	白
2	Blue	藍
1	Brown	棕
Pin	Wire Color	
Pin Out		

UNIT:mm TOLERANCE $\pm 0.5$	TITLE D-SUB Conn Cable Screw DB9P F Conn F Pin		Amphenol LTW 安費諾亮泰企業股份有限公司	ITEM NO	DRAWN BY Ruru	DATE 2015-02-10		
	SCALE 1:1	SIZE A4		SHEET 1	OF 1	DWG NO SDB-09AFFM-SL7AXX	CHECKED BY Rita	DATE 2015-02-10
	REV. E	WC-REV. A.2		$\varnothing$ : Inspection item		CUSTOMER ALTW	APPROVED BY Lion	DATE 2015-02-10