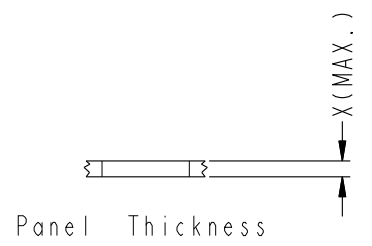
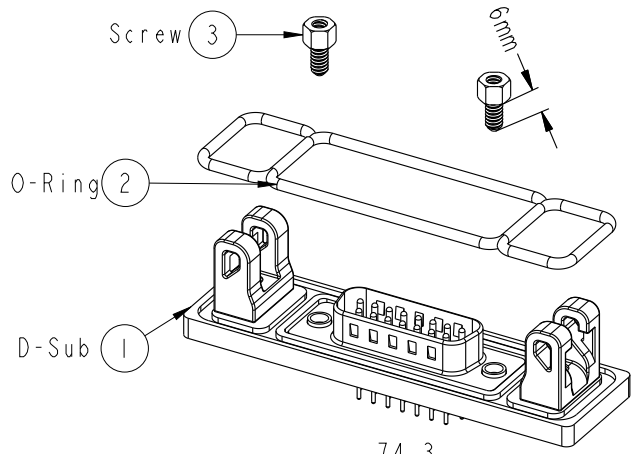
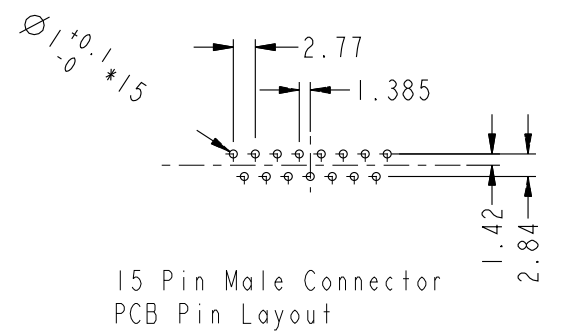


THIS DOCUMENT IS SUBJECT TO CHANGE WITHOUT NOTICE. IT IS CONFIDENTIAL AND A PROPERTY OF AMPHENOL LTW. DISCLOSURE TO THIRD PARTY HAS TO BE AUTHORIZED BY AMPHENOL LTW.

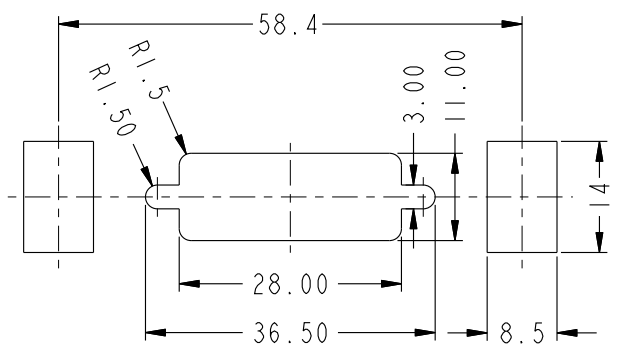
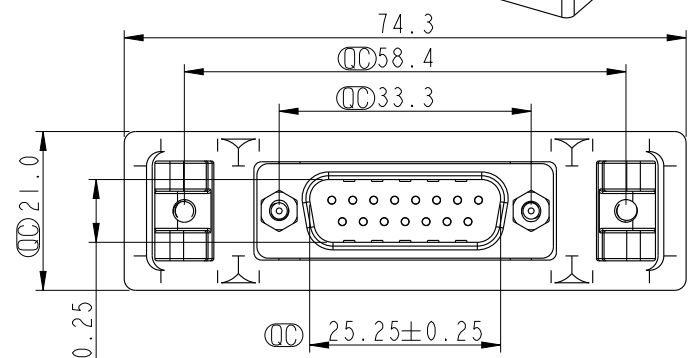
REV.	ECN NO.	DATE	SIGN	DESCRIPTION
B	LEN1390069	2013/08/26	Tony_leng	Change 8.36 To 8.30



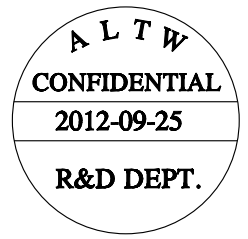
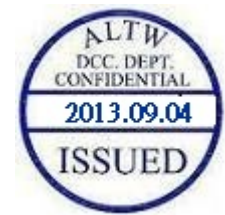
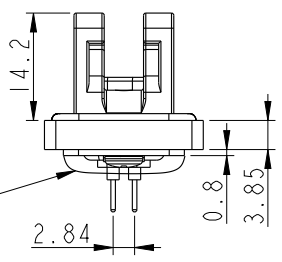
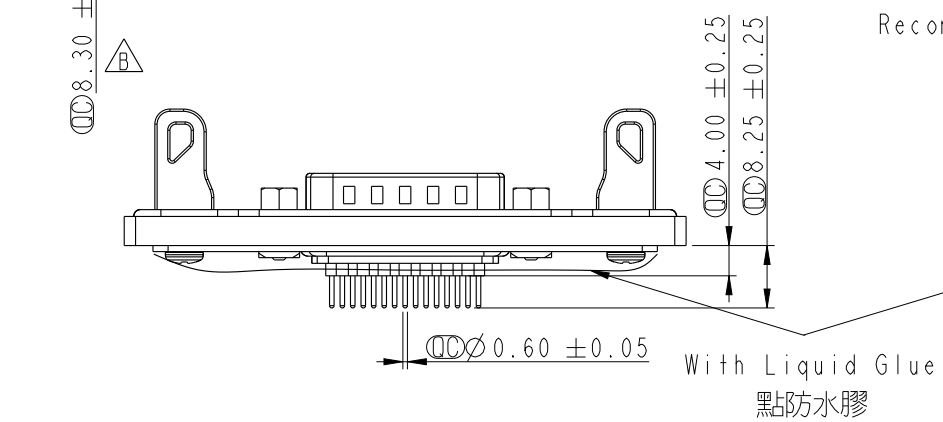
Screw L=6.0 For Panel Thickness Between 1.2~2.0mm



15 Pin Male Connector PCB Pin Layout



Recommended Panel Cut-Out



- Notes:
- * \varnothing Important Dimension.
 - * Materials:
 - Panel : Zinc
 - Panel Link : Zinc
 - Screw : Stainless, #4-40 UNC
 - O-Ring : Silicone Black
 - Insulator : PBT
 - Shell : Cold Rolled Steel
 - Contact : Copper Alloy
 - Nut : Copper Alloy
 - * Finishes:
 - Panel : Nickel Plated
 - Panel Link : Nickel Plated
 - Nut : Nickel Plated
 - Shell : Nickel Plated
 - Contact : Gold Flash
 - * Waterproof Rate : IP68
IP68: 1M of depth of water 24 hours

UNIT : mm		
TOLERANCE	.X ± 0.25	
	.XX ± 0.1	
	.XXX ± 0.05	
ANGLES	$\pm 1^\circ$	

TITLE D-SUB CONN PANEL QUICK DB15P M CONN M PIN		
SCALE 1:1	SIZE A4	SHEET 1 OF 1
REV. B	WC-REV. A.4	\varnothing : Inspection item

Amphenol LTW
安費諾亮泰企業股份有限公司

ITEM NO. SDB-15PMMP-QL8001	DRAWN BY Tony_leng	DATE 2013-08-26
DWG NO. SDB-15PMMP-QL8001	CHECKED BY Yulong	DATE 2012-08-26
CUSTOMER ALTW	APPROVED BY Victor	DATE 2012-08-26