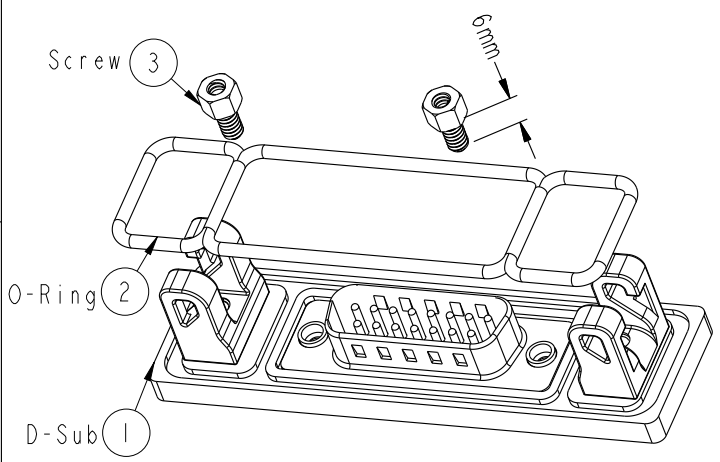
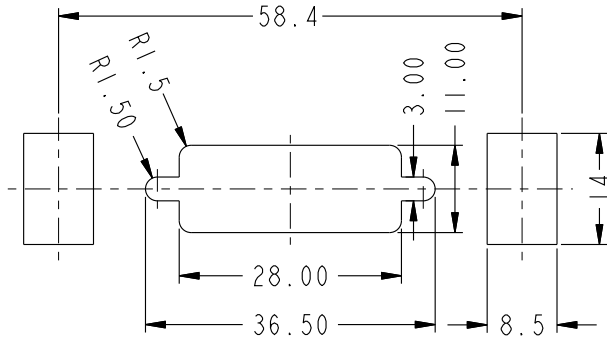
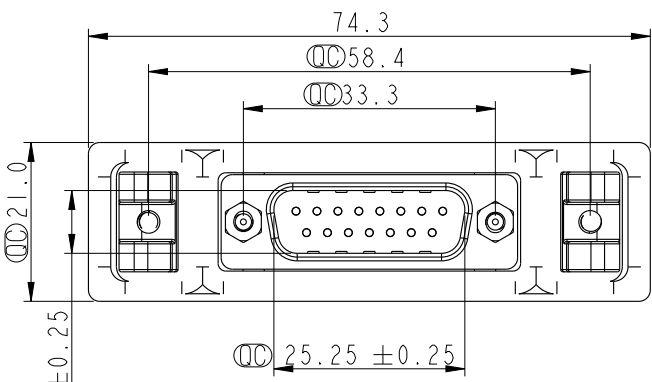


REV.	ECN NO.	DATE	SIGN	DESCRIPTION
A		2006/04/28	DAVID	Released Rev.A
B	LEN1390071	2013/08/26	Tony_leng	Change 8.36 To 8.30



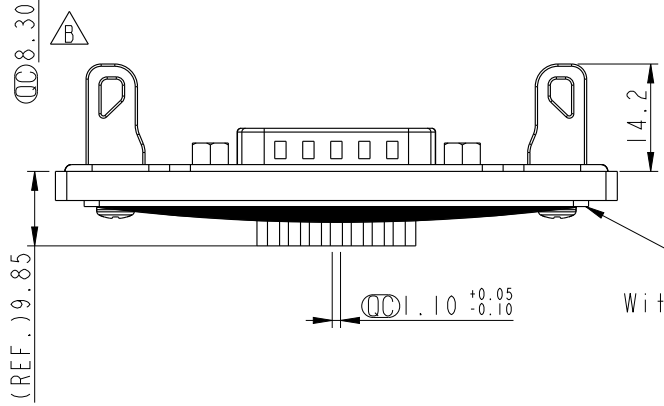
PANEL THICKNESS

Screw L=6.0 For Panel Thickness  
Between 1.2~2.0mm



RECOMMENDED PANEL CUT-OUT

NOTE:  
 \*  $\varnothing$  Important Dimension.  
 \* Materials:  
 Panel : Zinc  
 Panel Link : Zinc  
 Screw : Stainless, #4-40 UNC  
 O-Ring : Silicone Black  
 Insulator : PBT  
 Shell : Cold Rolled Steel  
 Contact : Copper Alloy  
 Nut : Copper Alloy  
 \* Finishes:  
 Panel : Nickel Plated  
 Panel Link : Nickel Plated  
 Nut : Nickel Plated  
 Shell : Nickel Plated  
 Contact : Gold Flash  
 \* Waterproof Rate : IP68  
 IP68: 1M of depth of water 24 hours  
 \* Applicable Wire Range: 22AWG-26AWG



With Liquid Glue  
點防水膠

UNIT : mm		
TOLERANCE	.X ±0.25	
	.XX ±0.1	
	.XXX ±0.05	
ANGLES	±1°	

TITLE D-SUB CONN PANEL QUICK M CONN M PIN			
SCALE 1:1	SIZE A4	SHEET 1 OF 1	
REV. B	WC-REV. A.4	$\varnothing$ : Inspection item	

**Amphenol LTW**  
安費諾亮泰企業股份有限公司

ITEM NO SDB-15PMMS-QL8001	DRAWN BY Tony_leng	DATE 2013-08-26
DWG NO SDB-15PMMS-QL8001	CHECKED BY Yulong	DATE 2013-08-26
CUSTOMER ALTW	APPROVED BY Victor	DATE 2013-08-26

THIS DOCUMENT IS SUBJECT TO CHANGE WITHOUT NOTICE. IT IS CONFIDENTIAL AND A PROPERTY OF AMPHENOL LTW. DISCLOSURE TO THIRD PARTY HAS TO BE AUTHORIZED BY AMPHENOL LTW.