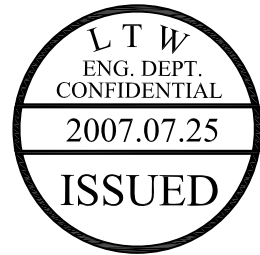
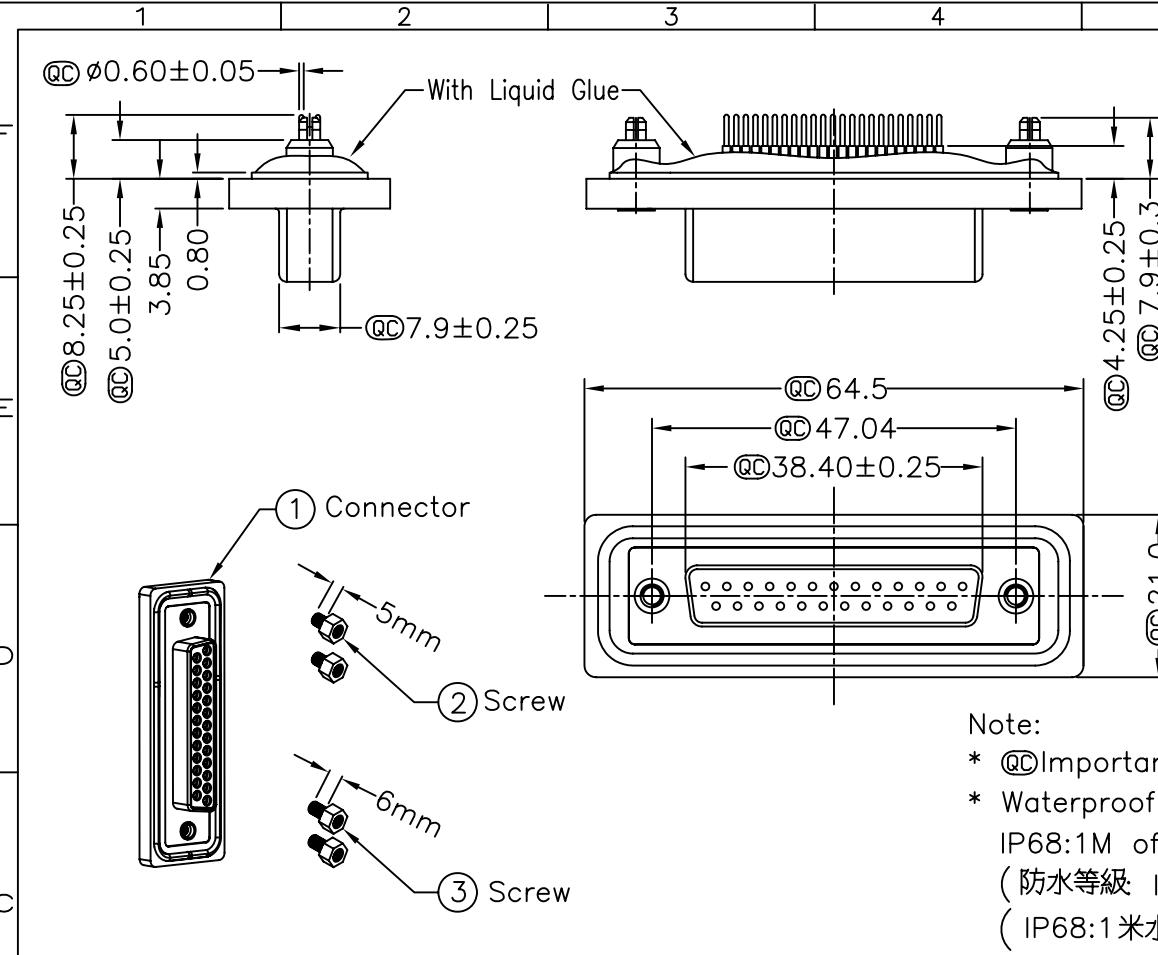


THIS DOCUMENT IS SUBJECT TO CHANGE WITHOUT NOTICE. IT IS CONFIDENTIAL AND A PROPERTY OF LTW. DISCLOSURE TO THIRD PARTY HAS TO BE AUTHORIZED BY LTW.

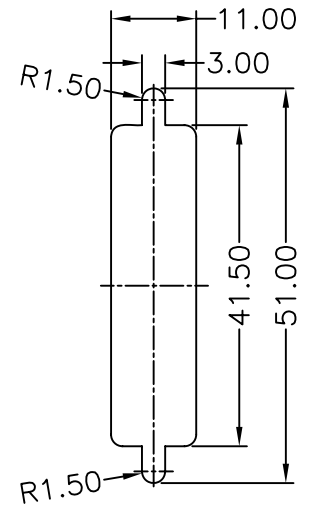
5	6	7	8
REV.	ECN NO.	DATE	SIGN



Panel Thickness
面板厚度
X (Max.)

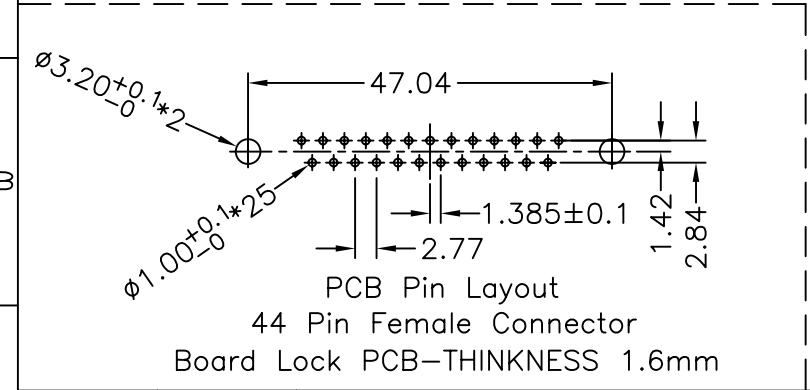
Screw L=5.0 For Panel Thickness Under 1.2mm
適用板厚為 1.2mm 以下

Screw L=6.0 For Panel Thickness Between 1.2~2.0mm
適用板厚為 1.2~2.0mm



Recommended Panel Cut-Out
建議挖孔尺寸

- Note:
- * QC Important Dimension.
 - * Waterproof Rate : IP68
IP68:1M of depth of water 24 hours
(防水等級 IP68)
(IP68:1米水深 24小時)
 - * Do Mating Test After Glued
點膠後, 須作對插測試
 - * HD-SUB Conn. :Black Core , PBT
 - * Plastic Jacket : Black , Nylon+GF
 - * Pin : Copper Alloy , Gold Plated
 - * Ring : Light Blue,Silicone
 - * Screw : Copper Alloy,Nickel Plated,#4-40 UNC
 - * The 180° Board Lock Needs To Connect The Iron Shell
180° 型支架需接鐵殼



UNIT:mm		TITLE D-SUB Connector 25Pin Female For Panel,PCB 180° Board Lock
TOLERANCE .X ± 0.25 .XX ± 0.1 .XXX ± 0.05 ANGLES $\pm 1^\circ$	SCALE Free	SHEET 1 OF 1
REV. A	SIZE A4	QC :Inspection Item

LTW
亮泰企業股份有限公司

ITEM NO LTWSDB-25PFFP-SA8001	DRAWN BY Tina	DATE 2007/05/17
DWG NO LTWSDB-25PFFP-SA8001	CHECKED BY Liu	DATE 2007/05/25
CUSTOMER	APPROVED BY Victor	DATE 2007/05/26

DATE 2007/05/17	DATE 2007/05/25	DATE 2007/05/26
--------------------	--------------------	--------------------