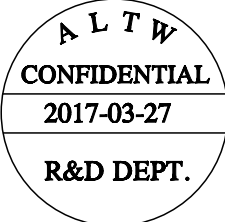
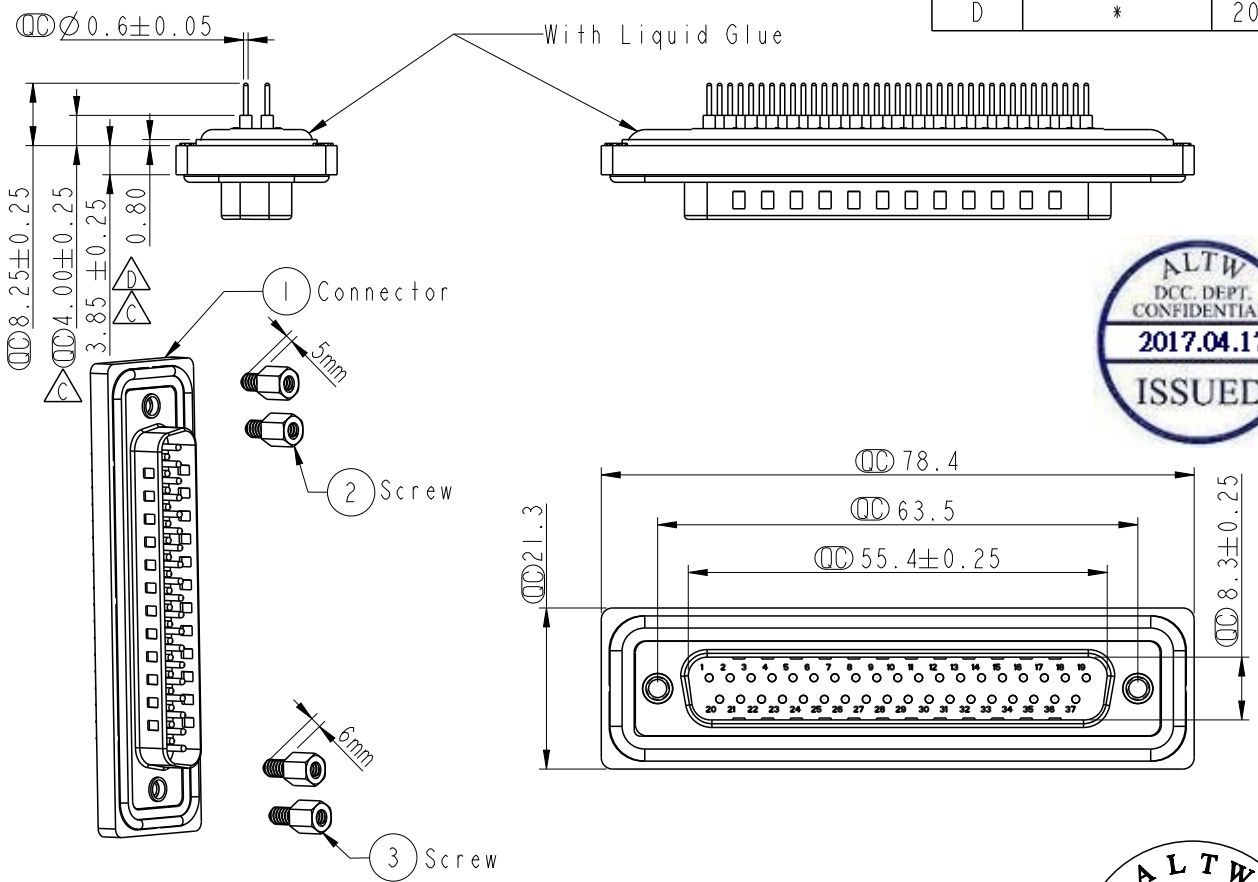
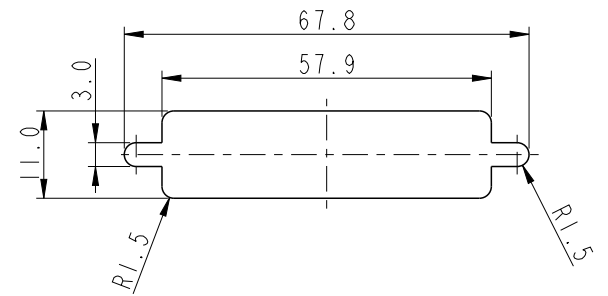


REV.	ECN NO.	DATE	SIGN	DESCRIPTION
C	LEN13B0240	2013/07/25	SAM	Change Dimension.
D	*	2017/03/27	Gaotong	Correct tolerance



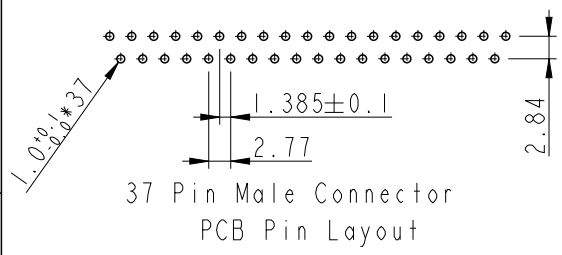
Panel Thickness  
面板厚度  
Screw L=5.0 For Panel Thickness Under 1.2mm  
適用板厚為 1.2mm 以下

Screw L=6.0 For Panel Thickness Between 1.2~2.0mm  
適用板厚為 1.2~2.0mm



Recommended Panel Cut-Out  
建議控孔尺寸

- Note:
- \*  $\varnothing$  Important Dimension.
  - \* Waterproof Rate: IP67
  - \* Do Mating Test After Glued  
點膠後，須作對插測試
  - \* Housing: Nylon+GF, Black.
  - \* Connector: PBT, Black.
  - \* Male Pin: Copper Alloy, Gold Plated.
  - \* Ring: Silicone, Light Blue.
  - \* Screw: Copper Alloy, Nickel Plated, #4-40 UNC.



UNIT: mm	
TOLERANCE	
.X	±0.25
.XX	±0.1
.XXX	±0.05
ANGLES	±1°

TITLE D-SUB Conn. Panel Screw DB37P M Conn. M Pin			
SCALE 1:1	SIZE A4	SHEET 1 OF 1	
REV. D	WC-REV. A.3	$\varnothing$ : Inspection item	

**Amphenol LTW**  
安費諾亮泰企業股份有限公司

ITEM NO SDB-37PMMP-SL7001	DRAWN BY Gaotong	DATE 2017/03/27
DWG NO SDB-37PMMP-SL7001	CHECKED BY Kris	DATE 2017/03/27
CUSTOMER ALTW	APPROVED BY Max	DATE 2017/03/27

THIS DOCUMENT IS SUBJECT TO CHANGE WITHOUT NOTICE. IT IS CONFIDENTIAL AND A PROPERTY OF Amphenol LTW. DISCLOSURE TO THIRD PARTY HAS TO BE AUTHORIZED BY Amphenol LTW.