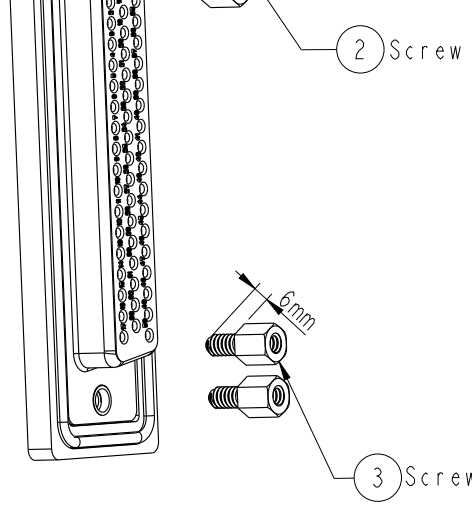
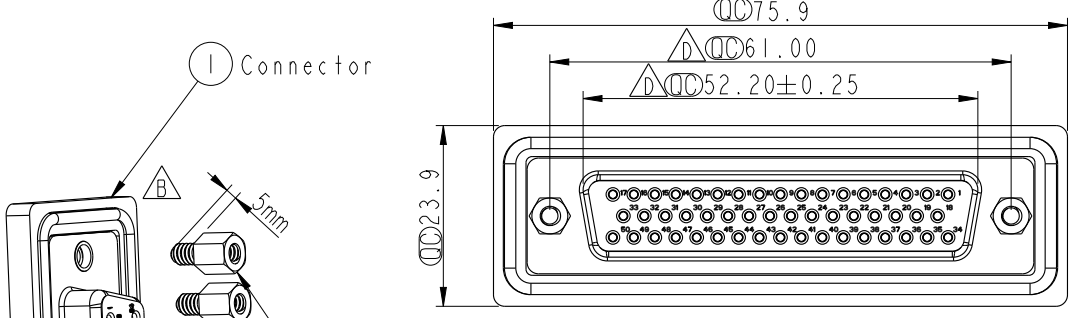
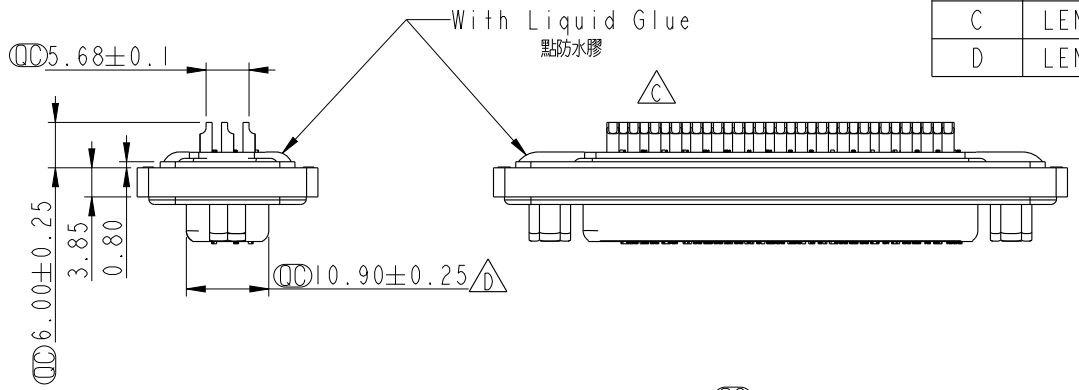


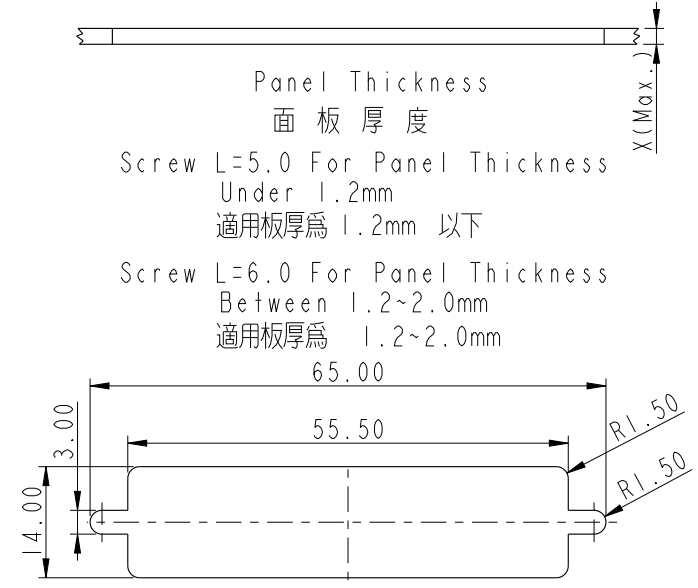
THIS DOCUMENT IS SUBJECT TO CHANGE WITHOUT NOTICE. IT IS CONFIDENTIAL AND A PROPERTY OF Amphenol LTW. DISCLOSURE TO THIRD PARTY HAS TO BE AUTHORIZED BY Amphenol LTW.

REV.	ECN NO.	DATE	SIGN	DESCRIPTION
B	LE3-710143	2006/12/15	Gao Ling	Move O-ring to ZSE00100827
C	LEN-980060	2009/08/05	Vicky	Remove Pin Dim.
D	LEN1350289	2013/05/31	Yulong	Update the Dimension



**ALTW**  
**CONFIDENTIAL**  
 2013-05-31  
**R&D DEPT.**

**ALTW**  
 DCC. DEPT.  
 CONFIDENTIAL  
 2013.05.31  
**ISSUED**



Panel Thickness  
面板厚度

Screw L=5.0 For Panel Thickness Under 1.2mm  
適用板厚為 1.2mm 以下

Screw L=6.0 For Panel Thickness Between 1.2~2.0mm  
適用板厚為 1.2~2.0mm

Recommended Panel Cut-Out

建議挖孔尺寸

Note:

- \*  $\varnothing$  Important Dimension.
- \* Waterproof Rate: IP67
- \* Do Mating Test After Glued  
點膠後，須作對插測試
- $\triangle B$  \* Housing: Nylon+GF, Black.
- $\triangle B$  \* Connector: PBT, Black.
- $\triangle B$  \* Female Pin: Copper Alloy, Gold Plated.
- \* Ring: Silicone, Light Blue.
- $\triangle B$  \* Screw: Copper Alloy, Nickel Plated, #4-40 UNC.
- \* Applicable Wire Range: 22AWG-26AWG.  
適用電線範圍: 22AWG-26AWG

UNIT: mm		
TOLERANCE		
.X	$\pm 0.25$	
.XX	$\pm 0.1$	
.XXX	$\pm 0.05$	
ANGLES	$\pm 1^\circ$	

TITLE D-SUB Conn. $\triangle B$ Panel Screw DB50P F Conn F Pin		
SCALE 1:1	SIZE A4	SHEET 1 OF 1
REV. D	WC-REV. A.2	$\varnothing$ : Inspection item

**Amphenol LTW**  
 安費諾亮泰企業股份有限公司

ITEM NO. SDB-50PFFS-SL7001	DRAWN BY Yulong_wang	DATE 2013-05-31
DWG NO. SDB-50PFFS-SL7001	CHECKED BY Victor	DATE 2013-05-31
CUSTOMER ALTW	APPROVED BY Maslow	DATE 2013-05-31