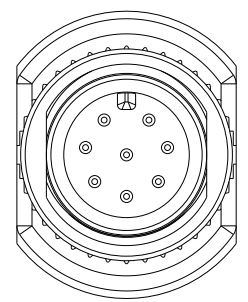


THIS DOCUMENT IS SUBJECT TO CHANGE WITHOUT NOTICE. IT IS CONFIDENTIAL AND A PROPERTY OF Amphenol LTW. DISCLOSURE TO THIRD PARTY HAS TO BE AUTHORIZED BY Amphenol LTW.

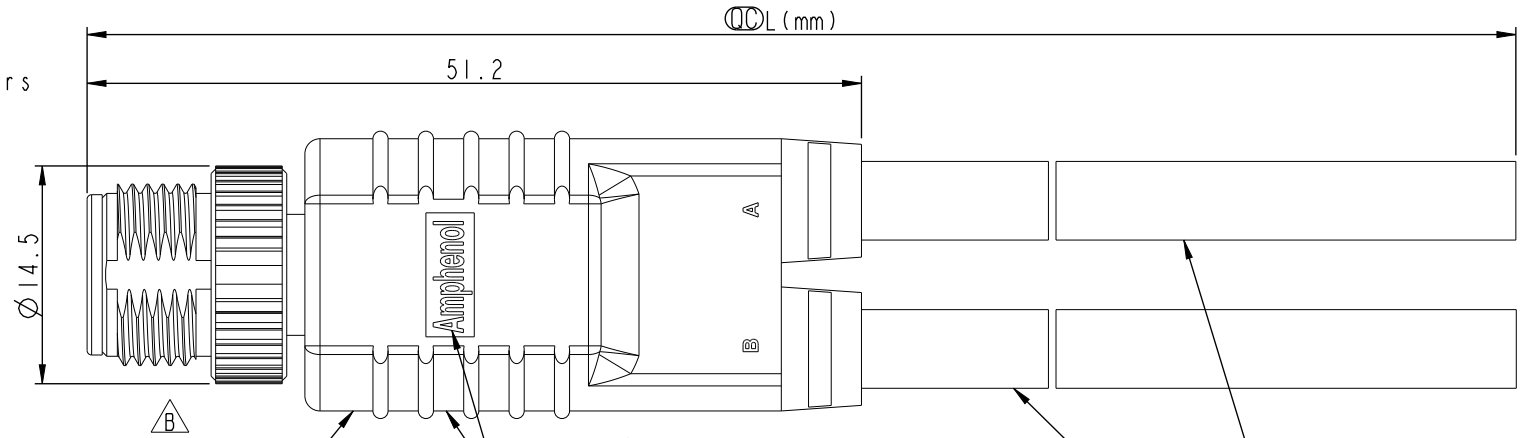
REV.	ECN NO.	DATE	SIGN	DESCRIPTION
B	LE3-9A0081~84	2009/10/13	Li Xiu Zhi	Change Screw Nut
C	LEN13B0228~31	2013/08/08	Cary	Change Logo From LTW To Amphenol
D	C211215	2021/08/09	Jiahe Lin	\triangle X2

SS-080000-M00-YSBXX

XX: 01~99Meter
 01: 01Meter
 02: 02Meters
 ...
 99: 99Meters
 Cable Length(L): 01~99Meters



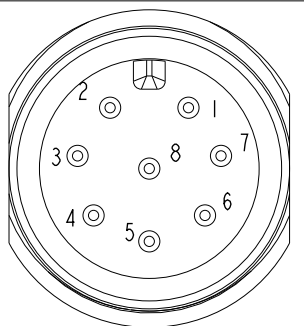
CI



SS-080000-M00-YS000
 Color: Black

Logo In The Both Sides
 兩面 Logo

Cable
 Cable



Pin Assignments
 Front View

8	Red	紅	Red	紅
7	Blue	藍	Blue	藍
6	Pink	粉	Pink	粉
5	Grey	灰	Grey	灰
4	Yellow	黃	Yellow	黃
3	Green	綠	Green	綠
2	Brown	棕	Brown	棕
1	White	白	White	白
CI	A		B	
	Wire Color		Pin Out	

- \triangle Note:
- * RoHS Compliant
 - * CC Important dimension
 - * Waterproof rate: IPX8, unmated 1m/24h
 - * Connector
 - Housing: Thermoplastic, Black
 - Pin: Copper alloy, Gold plated
 - Mating Nut: Metal
 - Outer mold: Thermoplastic, Black
 - * Cable: UL VW-1, 24#*8C, OD=4.8mm, PU Jacket, Black
 - * Cable length tolerance: 1M: +50/-0 mm
 - 1M < L ≤ 3M: +100/-0 mm
 - 3M < L ≤ 5M: +150/-0 mm
 - 5M < L ≤ 10M: ±100 mm
 - 10M < L ≤ 20M: ±200 mm
 - 20M < L ≤ 30M: ±300 mm
 - 30M < L ≤ 99M: ±500 mm

UNIT:mm

TOLERANCE
 X=0.5mm

TITLE			
ACC, SEN, A Code, Y ADA W/ CB			
SCALE	SIZE	SHEET	OF
2:1	A4	1	1
REV.	WC-REV.	CC : Inspection item	
D	A.2		

Amphenol LTW
 安費諾亮泰企業股份有限公司

ITEM NO	DRAWN BY	DATE
	Cary liu	2013-08-08
DWG NO	CHECKED BY	DATE
SS-080000-M00-YSBXX	Mafei	2013-08-08
CUSTOMER	APPROVED BY	DATE
ALTW	Victor	2013-08-08