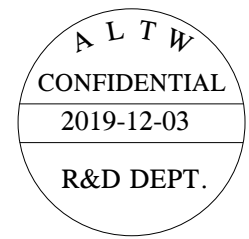
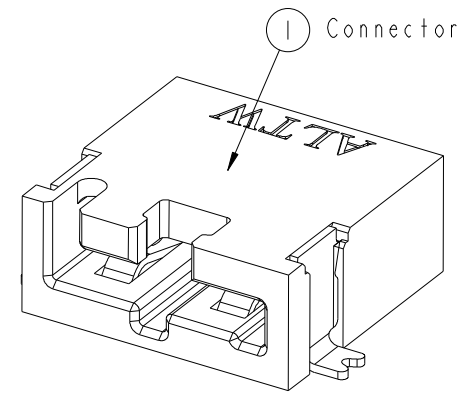
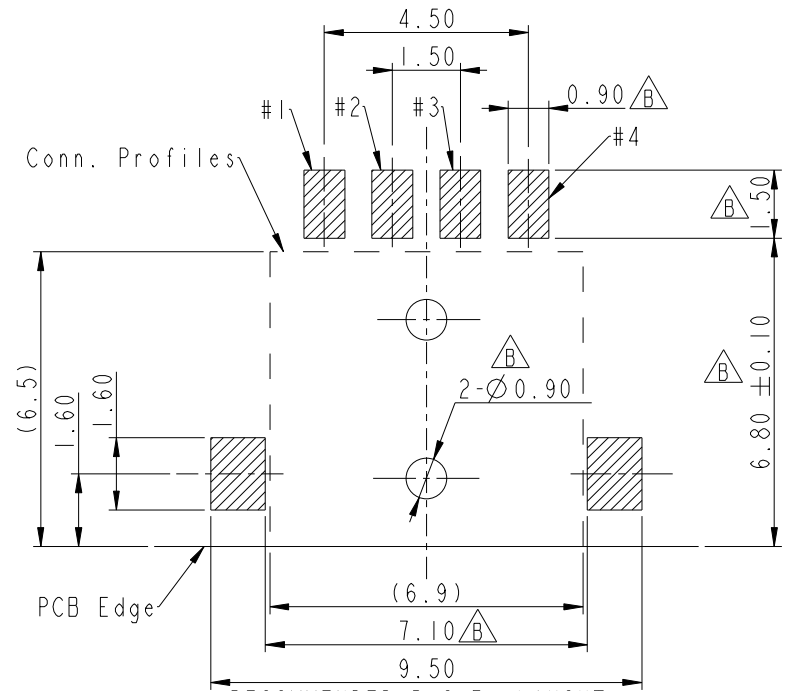
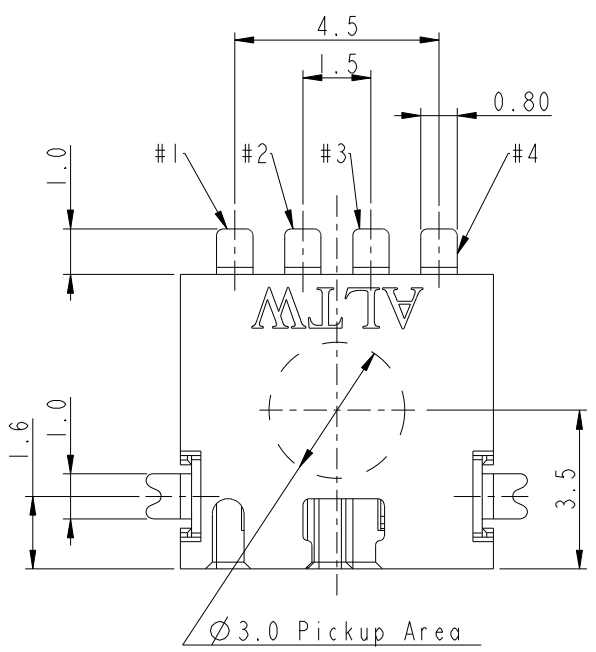
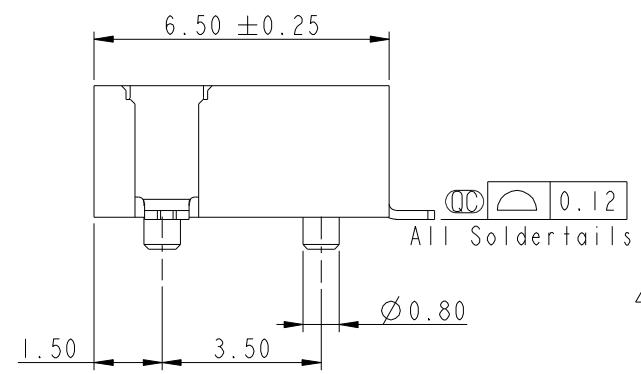
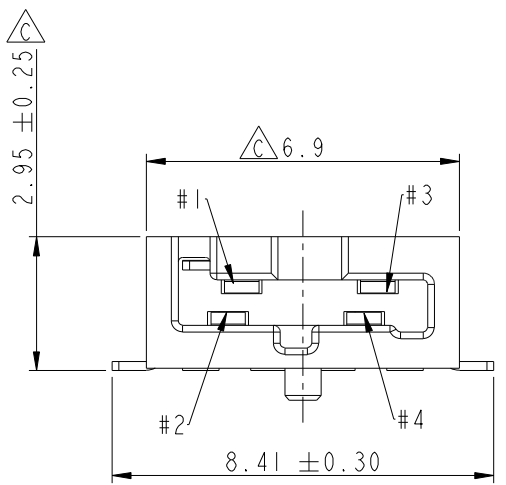


THIS DOCUMENT IS SUBJECT TO CHANGE WITHOUT NOTICE. IT IS CONFIDENTIAL AND A PROPERTY OF Amphenol LTW. DISCLOSURE TO THIRD PARTY HAS TO BE AUTHORIZED BY Amphenol LTW.

REV.	ECN NO.	DATE	SIGN	DESCRIPTION
C	LE313C0105	2013-12-16	Fisher	Change Plating and Package
D	CI91205	2019-07-29	NianPing Yu	Add UL label
E	CI92063	2019-12-03	NianPing Yu	△EXI



RECOMMENDED P.C.B. LAYOUT  
GENERAL TOLERANCE IS ±0.05



- Notes:
- \* Important Dimension To Check.
  - \* Housing: High temperature thermoplastic. UL94V-0, color is Natural white.
  - \* Terminal: Copper Alloy, Gold Plated on contact area. Tin plated on solder tails.
  - \* Solder Peg: Copper Alloy, Tin plated over Nickel.

UNIT: mm

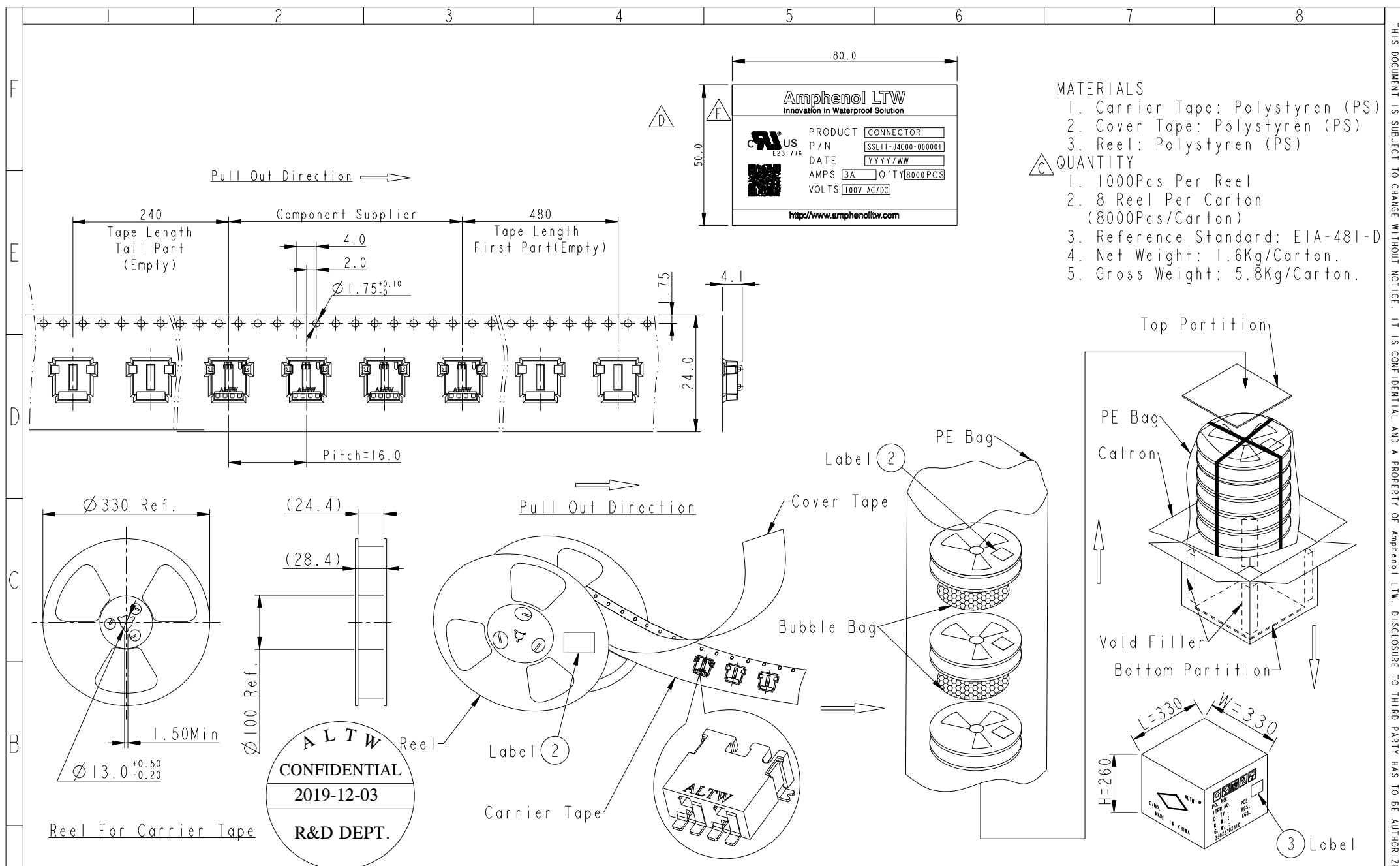
TOLERANCE	
.X	±0.25
.XX	±0.1
.XXX	±0.05
ANGLES	±1°


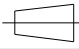
TITLE SSL-1.1 DC JACK CONNECTOR 4-POS. WITH POST, SMT TYPE			
SCALE	SIZE	SHEET	OF
6:1	A4	1	2
REV.	WC-REV.	QC: Inspection item	
E	C.3		

**Amphenol LTW**  
安費諾亮泰企業股份有限公司

ITEM NO.	SSLI1-J4C00-000001	DRAWN BY	NianPing Yu	DATE	2019-07-29
DWG NO.	SSLI1-J4C00-000001	CHECKED BY	Fisher Wang	DATE	2019-07-29
CUSTOMER	ALTW	APPROVED BY	Max Yang	DATE	2019-07-29

THIS DOCUMENT IS SUBJECT TO CHANGE WITHOUT NOTICE. IT IS CONFIDENTIAL AND A PROPERTY OF Amphenol LTW. DISCLOSURE TO THIRD PARTY HAS TO BE AUTHORIZED BY Amphenol LTW.



UNIT:mm	 	TITLE		ITEM NO		DRAWN BY		DATE	
		SSL-1.1 DC JACK CONNECTOR 4-POS. WITH POST, SMT TYPE		SSL11-J4C00-000001		NianPing Yu		2019-07-29	
TOLERANCE .X ±0.25 .XX ±0.1 .XXX ±0.05 ANGLES ±1°		SCALE	SIZE	SHEET	DWG NO	CHECKED BY		DATE	
		5:1	A4	2 OF 2	SSL11-J4C00-000001	Fisher Wang		2019-07-29	
		REV.	WC-REV.	QC	CUSTOMER	APPROVED BY		DATE	
		E	C.3	☉: Inspection item	ALTW	Max Yang		2019-07-29	

**Amphenol LTW**  
 安費諾亮泰企業股份有限公司