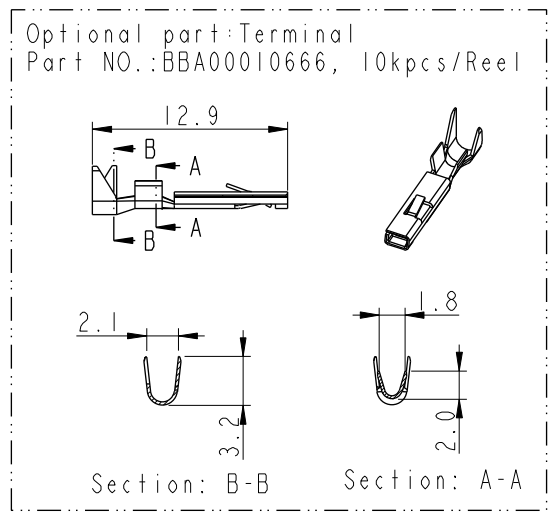
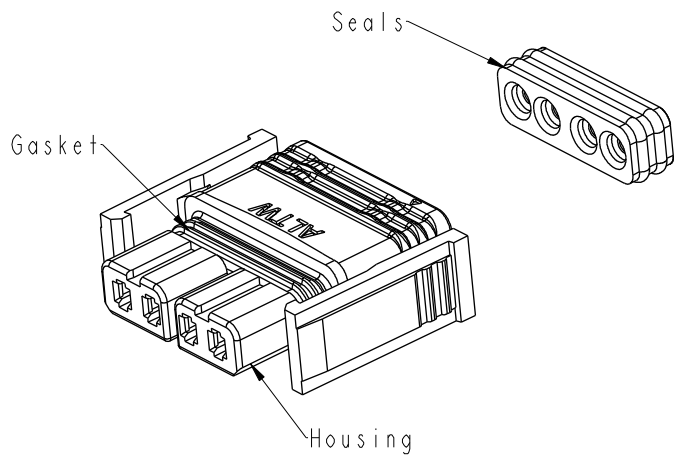
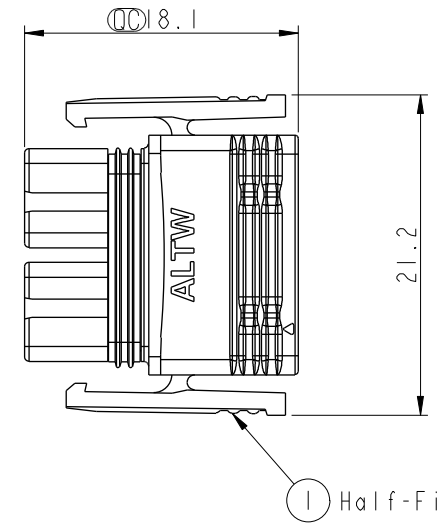
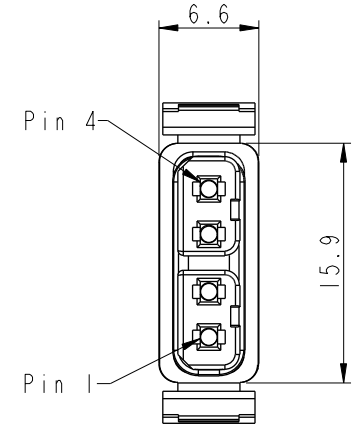


THIS DOCUMENT IS SUBJECT TO CHANGE WITHOUT NOTICE. IT IS CONFIDENTIAL AND A PROPERTY OF AMPHENOL LTW. DISCLOSURE TO THIRD PARTY HAS TO BE AUTHORIZED BY AMPHENOL LTW.

REV.	ECN NO.	DATE	SIGN	DESCRIPTION
A	Initial Release	2015-04-15	Fisher	Initial Release
B	LEN1620286	2016-03-04	Fisher	Update label
C	LEN1790258	2017-09-15	Ruru	RoHS Label and blue and white label merger




- Notes:
- * \varnothing Important Dimension To Check.
 - * Waterproof Rate: IP68(mating).
1M Depth Of Water In 24 Hours.
 - * Housing: Thermoplastic, UL94V-0, Natural White.
 - * Gasket: Silicone, Gray.
 - * Seals: Silicone, Gray
 - * Current Rating: 5A maximum.
 - * Applicable Wire Range: UL1430, 20~22AWG
 - * Voltage Rating: 250V AC/DC maximum.
 - * Operating Temperature: -40~+105°C
 - * Applicable terminal : BBA00010666

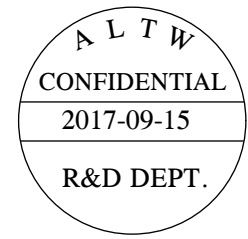
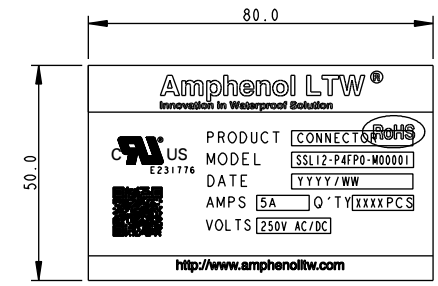
UNIT:mm		TITLE SSL1.2 4P M Conn, Field Installable
TOLERANCE ±0.5mm	SCALE 2:1	SIZE A4
	REV. C	WC-REV. A.4
		SHEET 1 OF 2
		QC: Inspection item

Amphenol LTW
安費諾亮泰企業股份有限公司

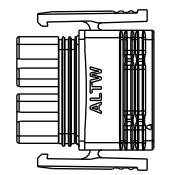
ITEM NO SSL12-P4FP0-M00001	DRAWN BY Ruru	DATE 2017-09-15
DWG NO SSL12-P4FP0-M00001	CHECKED BY Rita	DATE 2017-09-15
CUSTOMER ALTW	APPROVED BY Max	DATE 2017-09-15

THIS DOCUMENT IS SUBJECT TO CHANGE WITHOUT NOTICE. IT IS CONFIDENTIAL AND A PROPERTY OF Amphenol LTW. DISCLOSURE TO THIRD PARTY HAS TO BE AUTHORIZED BY Amphenol LTW.

Print content of Label 

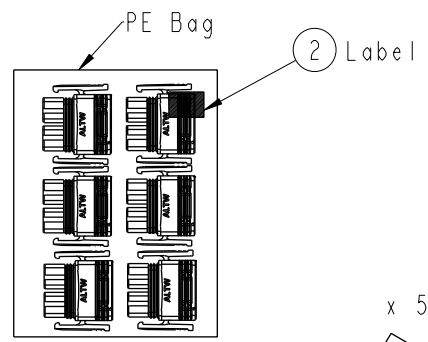
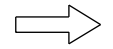


Packing

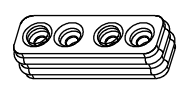


Housing + Gasket

x 250PCS

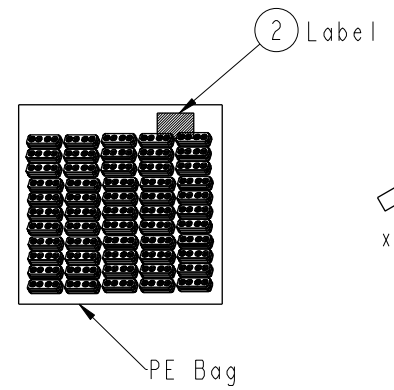
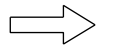


x 5PCS

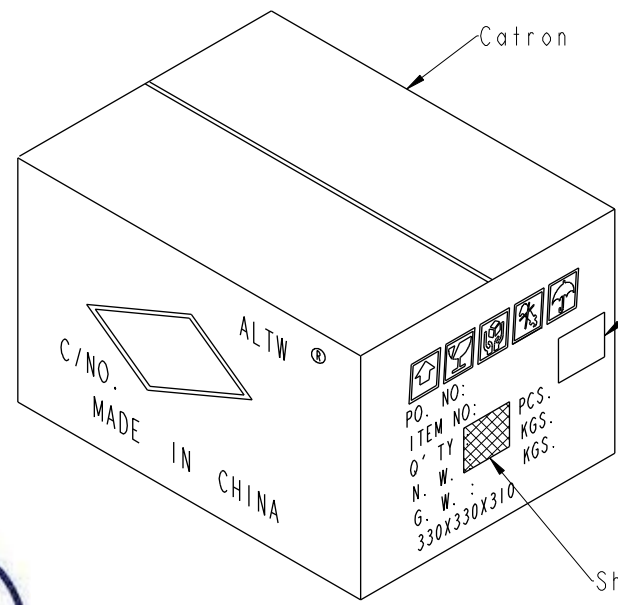
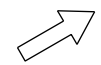


Seals

x 250PCS



x 5PCS



3 Label



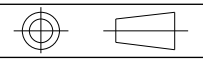
Shipping Mark



QUANTITY

1. 1250 Set Per Carton
2. Net Weight: 2.0Kg/Carton.
3. Gross Weight: 2.6Kg/Carton.
- ④ 4. Each box put a assembly instruction

UNIT:mm



TOLERANCE
±0.5mm

TITLE
SSL1.2 4P M CONN. Field Installable

SCALE 2:1 SIZE A4 SHEET 2 OF 2

REV. C WC-REV. A.4 Inspection item

Amphenol LTW

安費諾亮泰企業股份有限公司

ITEM NO
SSL12-P4FP0-M0001

DRAWN BY
Ruru

DATE
2017-09-15

DWG NO
SSL12-P4FP0-M0001

CHECKED BY
Rita

DATE
2017-09-15

CUSTOMER
ALTW

APPROVED BY
Max

DATE
2017-09-15