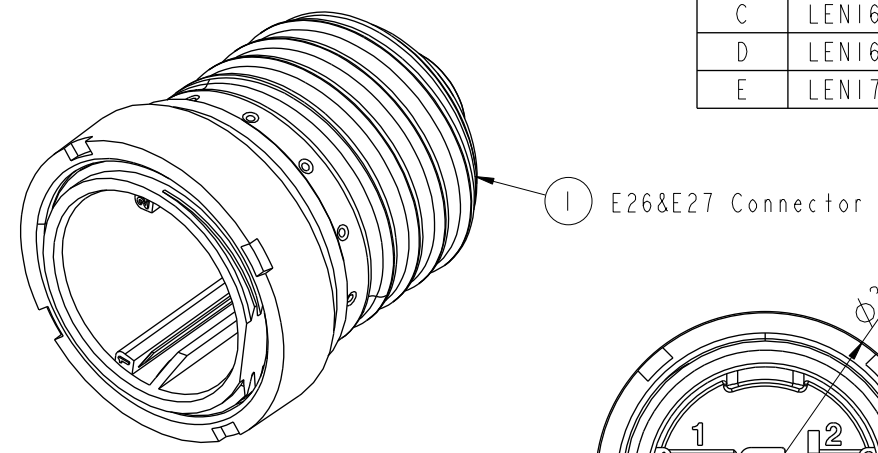
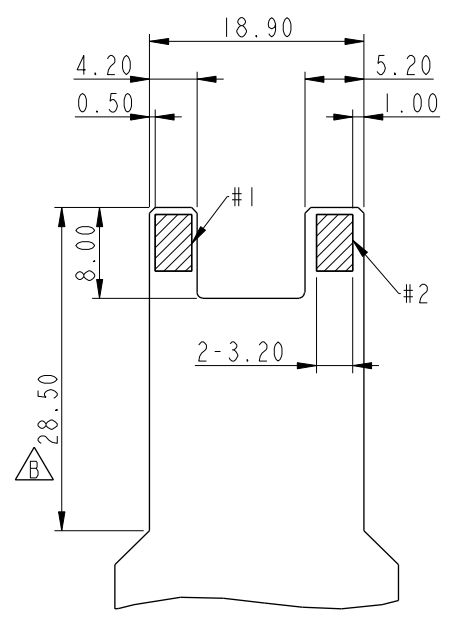
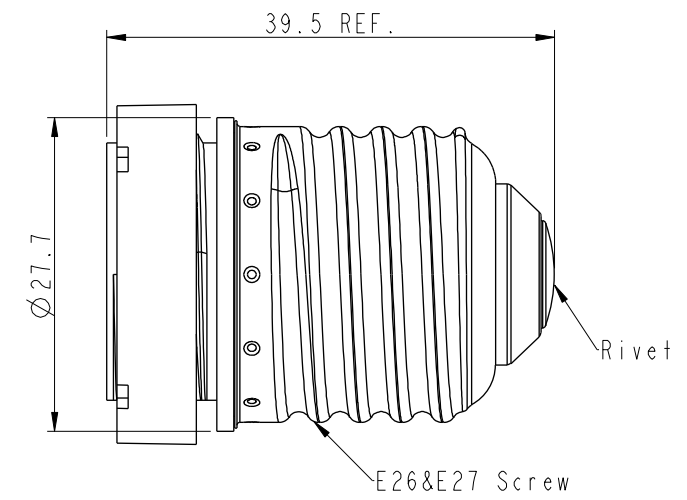
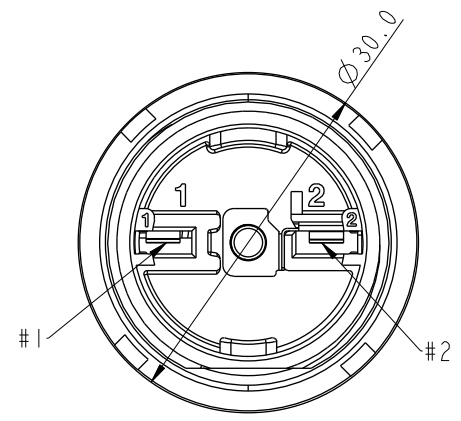


THIS DOCUMENT IS SUBJECT TO CHANGE WITHOUT NOTICE. IT IS CONFIDENTIAL AND A PROPERTY OF Amphenol LTW. DISCLOSURE TO THIRD PARTY HAS TO BE AUTHORIZED BY Amphenol LTW.

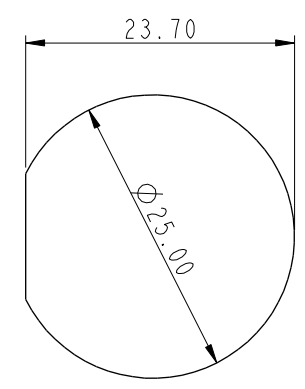
REV.	ECN NO.	DATE	SIGN	DESCRIPTION
C	LEN1620289	2016-03-04	Fisher	Update print content of label
D	LEN1670288	2016-07-27	Fisher	Update the Label print content
E	LEN1790246	2017-09-14	Ruru	RoHS Label and blue and white label merger



① E26&E27 Connector



Recommended PCB Layout
T = 1.60mm



Recommended Panel Cut-out



Pin 1	E26&E27 Screw
Pin 2	Rivet
Pin Out	

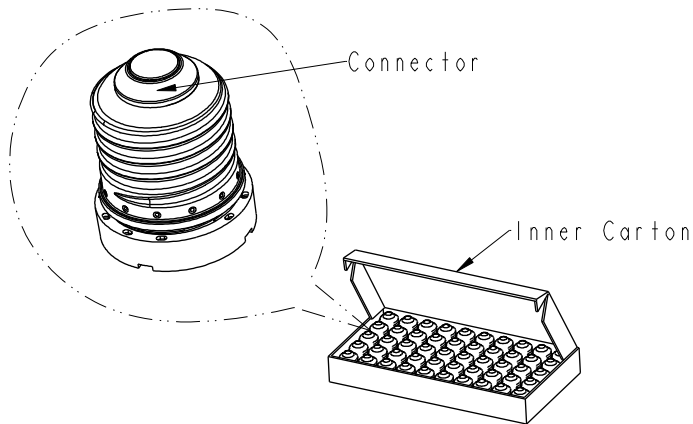
- Note:
- * Ⓞ Important Dimension To Check.
 - * Housing: Thermoplastic, UL94V-0, White.
 - * Nut: Thermoplastic, UL94V-0, White.
 - * Threaded Metal: Copper Alloy, Nickel Plated.
 - * Terminal: Copper Alloy, Gold Plated.
 - * Rivet: Copper Alloy, Nickel Plated.
 - * Maximum Panel Thickness: 2.5mm.
 - * Operating temperature: -40 ~ +105°C.
 - * Current Rating: 3A maximum.
 - * Voltage Rating: 500V AC/DC maximum.

UNIT: mm		
TOLERANCE	.X ±0.25	
	.XX ±0.1	
	.XXX ±0.05	
ANGLES	±1°	

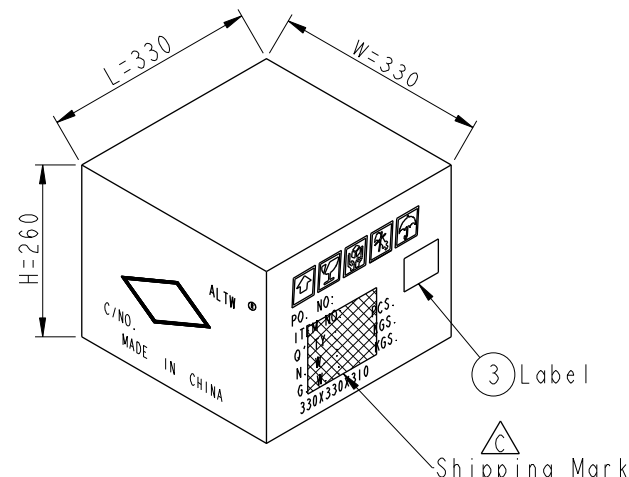
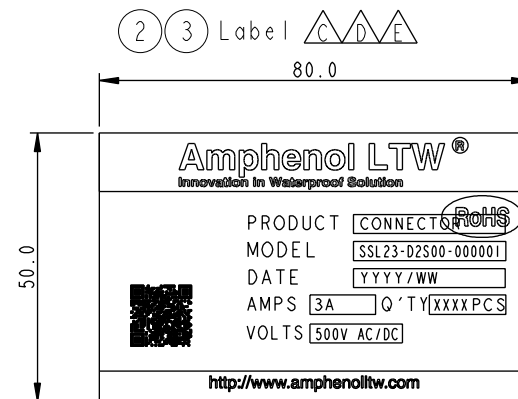
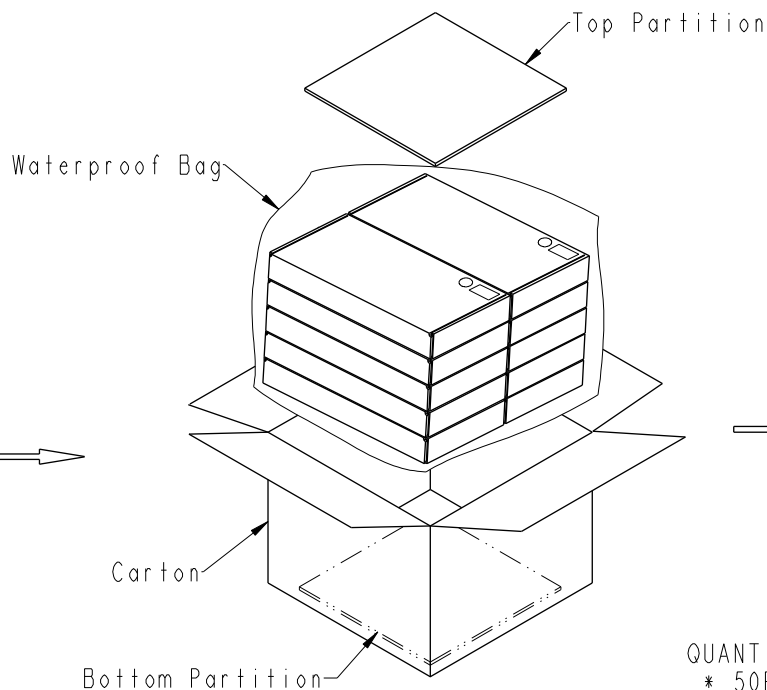
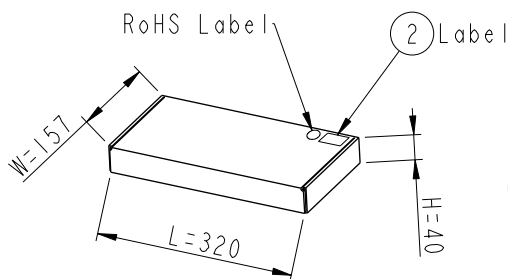
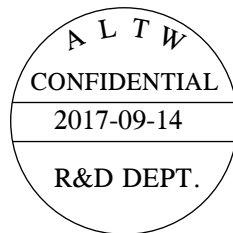
TITLE SSL2.3 E26&E27 Adapter Conn.			
SCALE 3:2	SIZE A4	SHEET 1 OF 2	
REV. E	WC-REV. A.10	Ⓞ: Inspection item	

Amphenol LTW
安費諾亮泰企業股份有限公司

ITEM NO. SSL23-D2S00-000001	DRAWN BY Ruru	DATE 2017-09-14
DWG NO. SSL23-D2S00-000001	CHECKED BY Rita	DATE 2017-09-14
CUSTOMER ALTW	APPROVED BY Max	DATE 2017-09-14



(50pcs per inner carton)



- QUANTITY
- * 50Pcs Per Inner Carton
 - * 10 Pcs inner Carton Per Carton (500Pcs/Carton)
 - * Net Weight: 6.0Kg/Carton.
 - * Gross Weight: 8.2Kg/Carton.

UNIT: mm		TITLE		<h1>Amphenol LTW</h1> <p>安費諾亮泰企業股份有限公司</p>	ITEM NO	DRAWN BY	DATE
		SSL2.3 PACKAGE			SSL23-D2S00-000001	Ruru	2017-09-14
TOLERANCE	±0.25	SCALE	3:2	SIZE	A4	SHEET	2 OF 2
.X	±0.1	REV.	E	WC-REV.	A.10	CC: Inspection item	
.XX	±0.05						
.XXX	±1°						
ANGLES							
					CUSTOMER	APPROVED BY	DATE
					ALTW	Max	2017-09-14

THIS DOCUMENT IS SUBJECT TO CHANGE WITHOUT NOTICE. IT IS CONFIDENTIAL AND A PROPERTY OF Amphenol LTW. DISCLOSURE TO THIRD PARTY HAS TO BE AUTHORIZED BY Amphenol LTW.