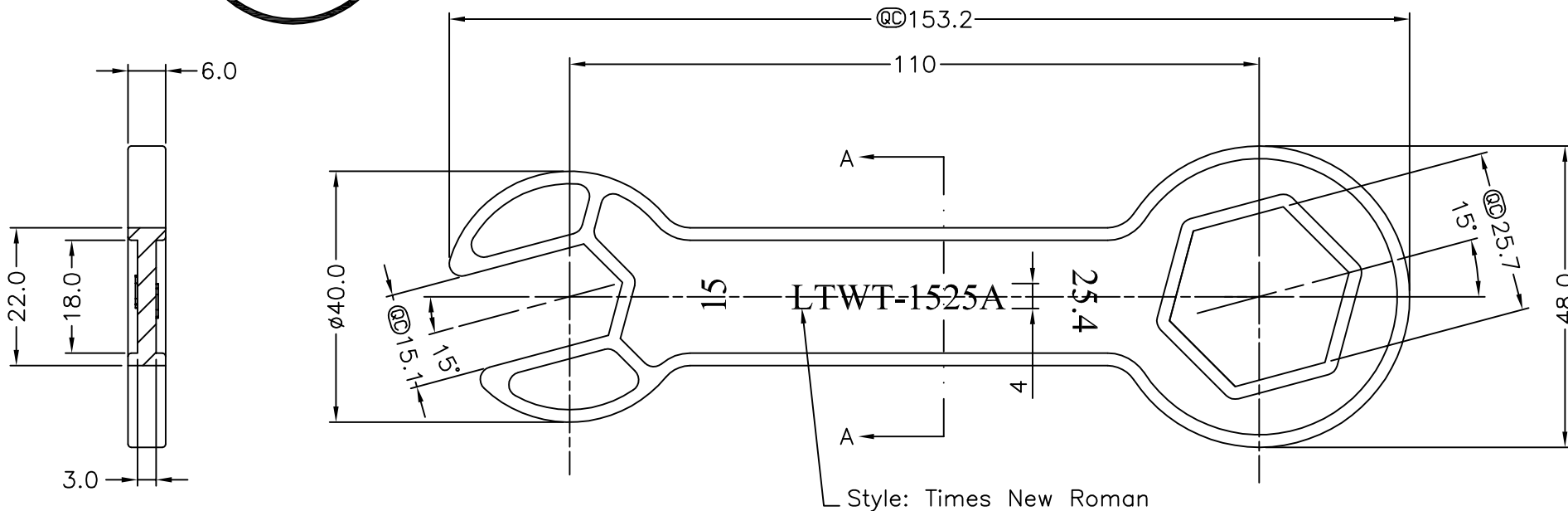
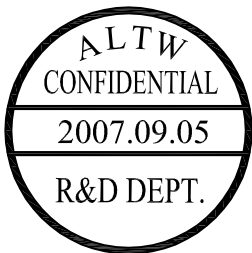
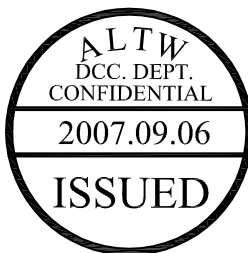


REV.	ECN NO.	DATE	SIGN	DESCRIPTION



Section A-A

Style: Times New Roman



- Note:
- * @@ Important Dimension.
 - * Material: Nylon+GF
 - * Color: Black
 - * Mold No:LTW-TM229-A
 - * Text High: 0.3mm

UNIT : mm	
TOLERANCE	±0.5

TITLE TOOL	
SCALE Free	SHEET 1 OF 1
REV. A	SIZE A4
@@ :Inspection Item	

Amphenol LTW
安費諾亮泰企業股份有限公司

ITEM NO	TOL-152501
DWG NO	TOL-152501
CUSTOMER	ALTW

DRAWN BY	Jerry
CHECKED BY	EZ
APPROVED BY	Lion

DATE	2007/09/05
DATE	2007/09/05
DATE	2007/09/05

THIS DOCUMENT IS SUBJECT TO CHANGE WITHOUT NOTICE. IT IS CONFIDENTIAL AND A PROPERTY OF Amphenol LTW. DISCLOSURE TO THIRD PARTY HAS TO BE AUTHORIZED BY Amphenol LTW.